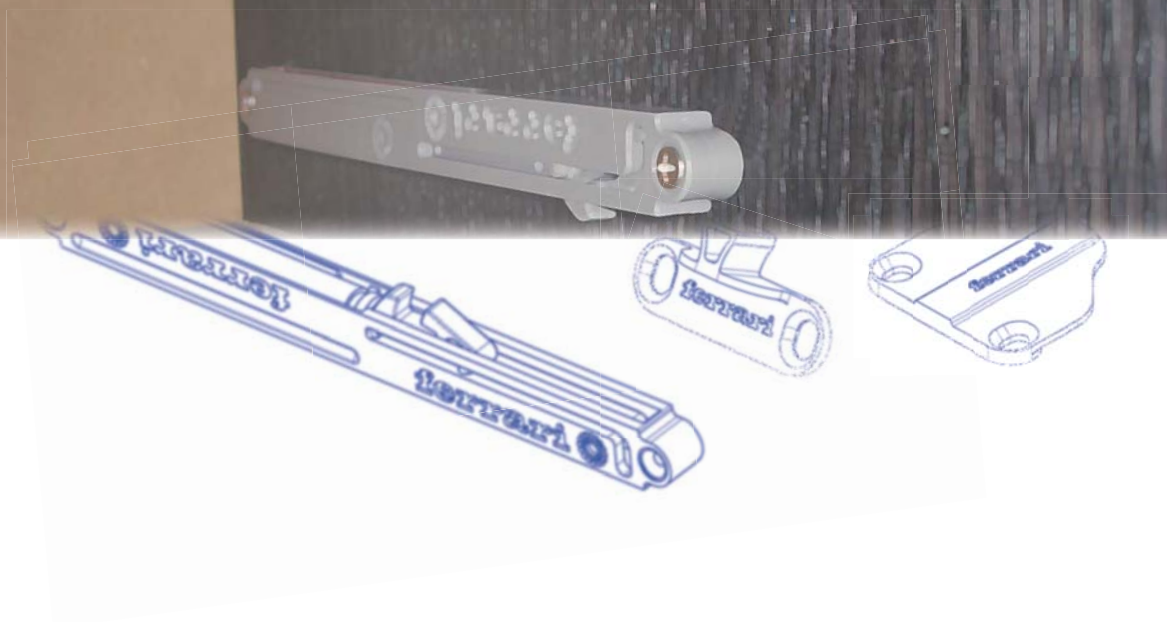


# Soft-closing solutions for quality furniture





## Soft-closing solutions for all needs



Ferrari offers innovative, competitive, quality soft closing solutions for all needs.

Door dampers are available in drill-in versions or with adaptors.

Soft closing is possible with air or oil dampers, which can be easily and quickly installed even on existing cabinets.



The Ferrari soft closing solutions increase the quality of cabinets, and make the final user's experience more comfortable.

The dampers are tested to last over 80,000 cycles. In other words, they last a lifetime.

Doors will never slam again, with Ferrari dampers.



## Airdamp



Airdamp is an innovative air furniture door damper.

This damper provides excellent soft-closing performances.

Airdamp is normally used in  $\varnothing 10$  mm holes or with its cross shaped adaptor.

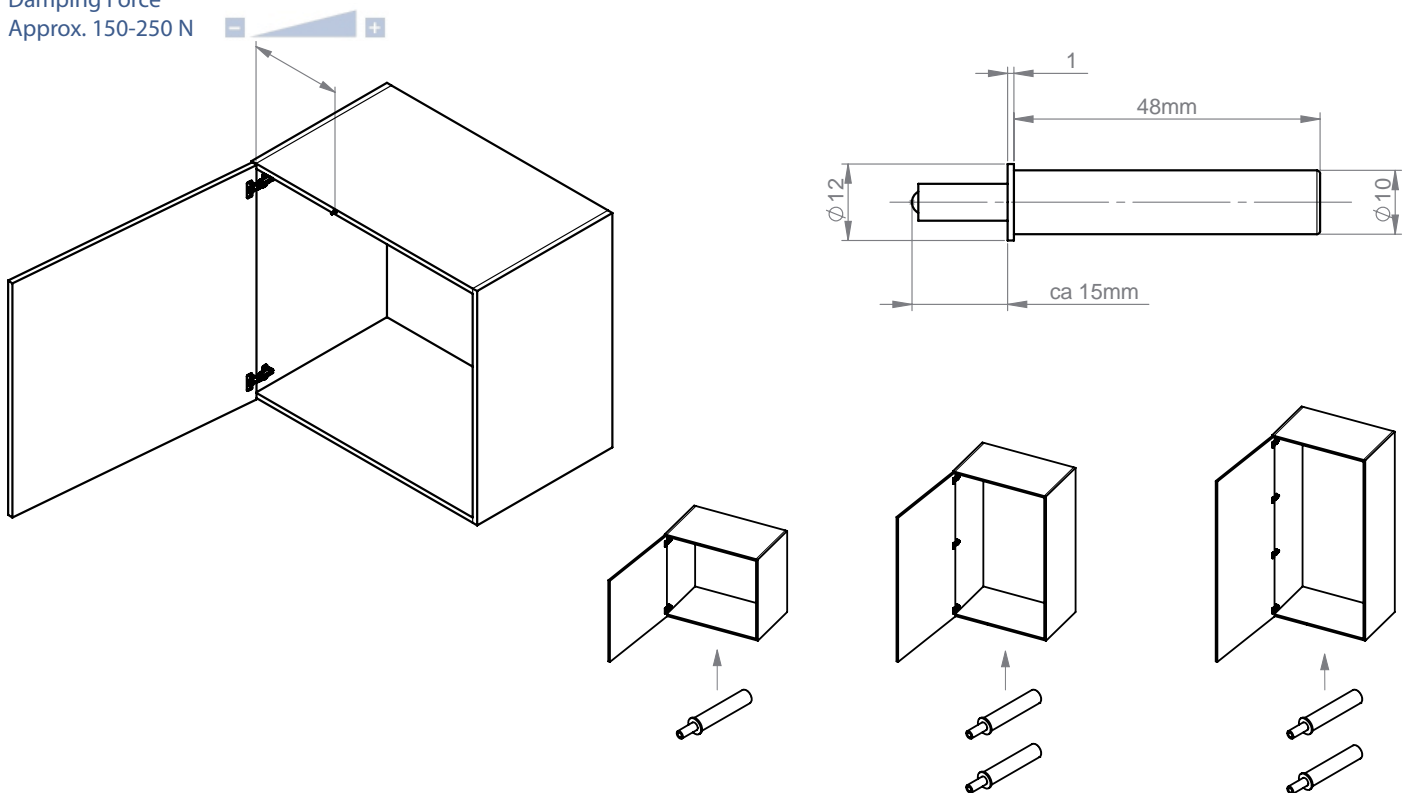
The damping force is approximately 150-250 N.

The product is sold in grey RAL 7004 finishing.

Airdamp is tested and guaranteed up to 100,000 cycles.

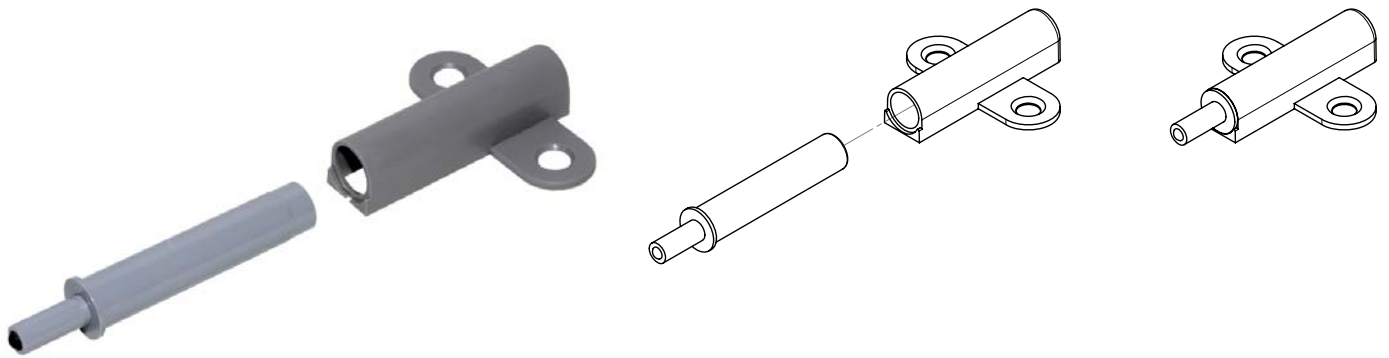
## Suggested Position

Damping Force  
Approx. 150-250 N

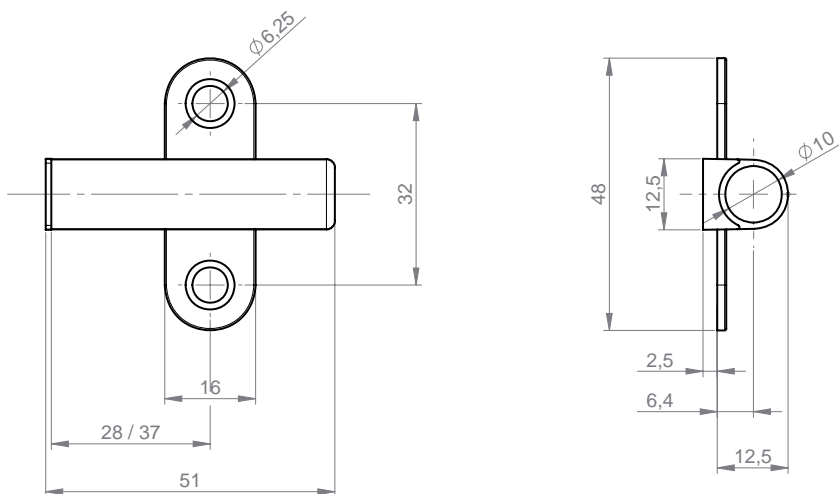


Code	Description	Material	Drilling distance	3D view	Pieces per box
EKAIR109	Air door damper	Plastic	See the following page		1,000

# Airdamp adaptors



Code	Description	Adaptor fastening distance	Side view	3D view	Pcs. per box
EKAIR289	without edge	28 mm			1,000
EKAIR299	with edge	28 mm			1,000
EKAIR379	without edge	37 mm			1,000
EKAIR389	with edge	37 mm			1,000



## Flexdamp



Flexdamp is an innovative oil furniture door damper.

It provides excellent results in soft closing.

Flexdamp is normally used in  $\varnothing 10$  mm holes or with external adaptors.

This product is sold in grey RAL 7047.

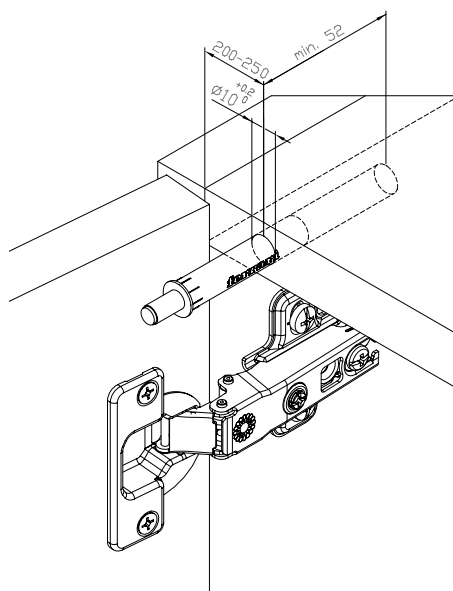
Flexdamp is tested and guaranteed up to 80,000 cycles.



## Suggested Position

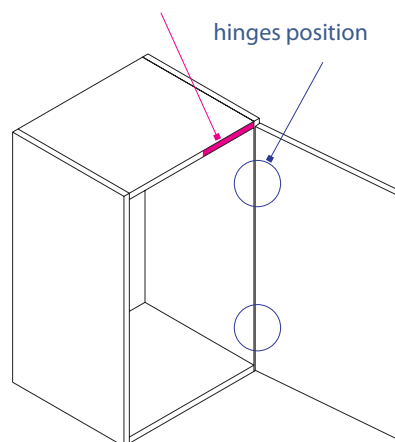
Drill-in application

Product Code: EKMS0129



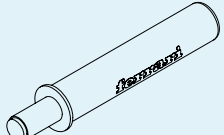
## Suggested Position

Flexdamp position

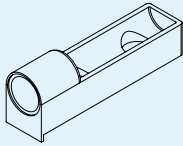
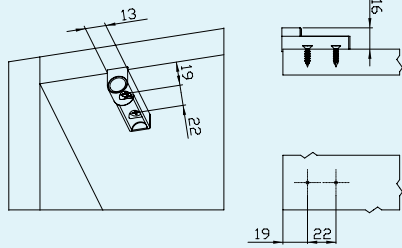
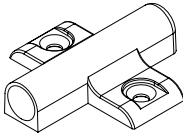
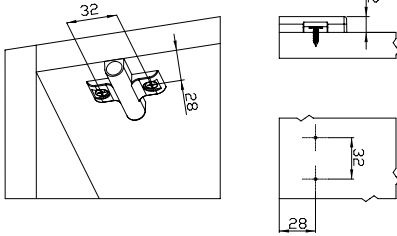
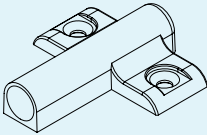
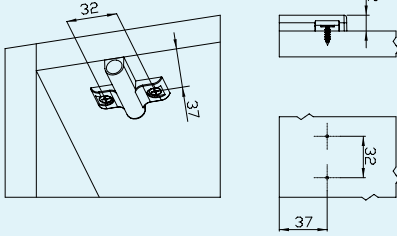
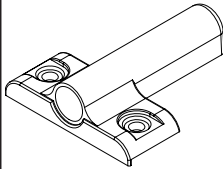
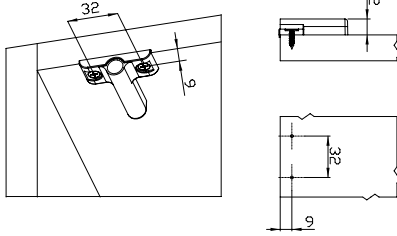


Apply Flexdamp considering door weight and dimension.

It is recommended to keep Flexdamp at least 20-25 cm from the hinged side of the door.

Code	Description	Material	Drilling distance	3D view	Pcs. per box
EKMS0129	Oil door damper	Plastic	See the following page		1,000

# Flexdamp adaptors

Code	Description	Adaptor fastening distance	3D view	Technical data	Pcs. per box
EKMDS0319	Linear adaptor	19-22 mm			1,500
EKMDS0289	Cross shaped adaptor	28x32 mm			1,000
EKMDS0379	Cross shaped adaptor	37x32 mm			1,000
EKMDS0339	Cross shaped adaptor	9x32 mm			1,000

## Si-softech



Si-softech is the best soft-closing solution for any cabinet.

Si-softech applies even to existing cabinets.

Wide range of possible installations.  
Suitable for all kinds of hinges.

Easy and quick installation.

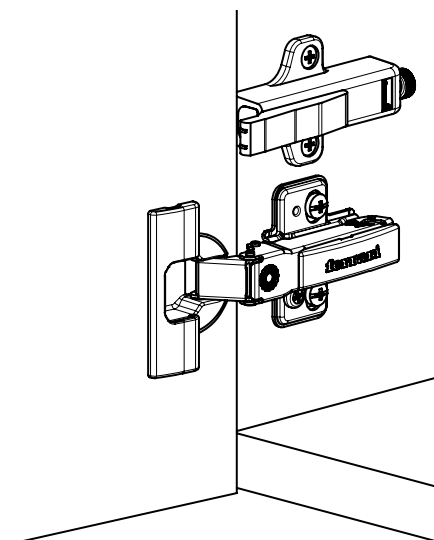
The damping force can be adjusted with the screw on the back.

Si-softech is tested and guaranteed up to 100,000 cycles.

## Product range

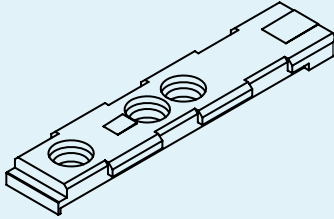
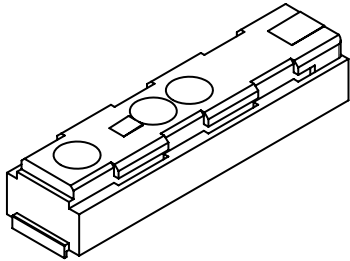
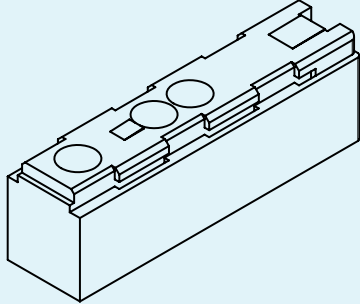
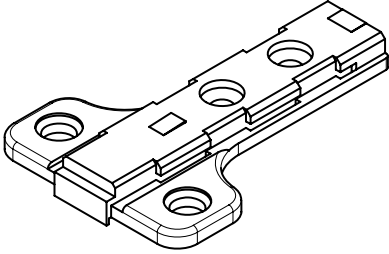
Code	Description	Material	Drilling distance	3D view	Pcs. per box
EKROIL7.3PGS	Linear door damper, damping force kg 7,3	Plastic	See the following page		200
EKROIL9PGS	Linear door damper, damping force kg 9	Plastic			200
EKROIL7.3ZG	Cross-shaped door damper, damping force kg 7,3	Zamak	37x32 mm		200
EKROIL9ZG	Cross-shaped door damper, damping force kg 9	Zamak			200

Optimal position	Door width 450 mm	Door width 600 mm
For Kitchen doors	one damper	one damper
For wardrobe doors	two dampers	three dampers





## Adaptor plates for si-softech - linear version

Code	Description	Drilling distance	Material	Image	Pcs. per box
EKEOILA1	Full overlay hinges (A) adaptor plate	28-37 mm	Plastic		1,000
EKEOILB1	Half overlay hinges (B) adaptor plate	28-37 mm	Plastic		500
EKEOILC1	Inset door hinges (C) adaptor plate	28-37 mm	Plastic		200
EKEOILA3	Adaptor plate for frame hinge applications	36-52x32 mm	Plastic		1,000

## Cup damper



This damper is an outstanding soft-closing solution for furniture doors.

This damper provides excellent soft-closing performances.

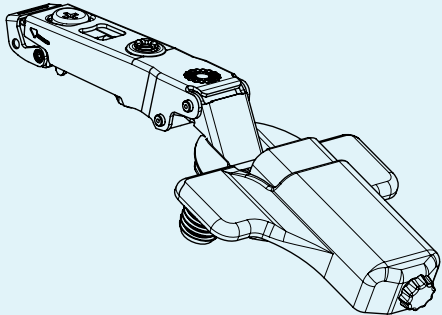
The installation is quick and easy: the damper is simply clipped on the hinge cup.

The adjustment screw can adjust the damping effect even after the installation.

This product is available in silver spray colour.

The Ferrari cup damper is tested and guaranteed up to 80,000 cycles.



Code	Description	3D view	Pieces per box
DM31G	Cup damper with adjustment screw		200

Please note that this damper is installed on specific 110° opening hinges, which can be slide-on or clip-on. In order to select the correct hinges, please view the "Ferrari Anyway Clip 90" or the "Ferrari Slide-on 95" catalogues on page 16. The right hinges are encoded with an "A" on the fourth digit of the code, as it is shown in the chart below:

*	*	*	A	*	*	*	*	*	*	*
---	---	---	---	---	---	---	---	---	---	---

Example: H90A87AGGWS

## Soft-closing for slides and drawers



This damper is for simple metal drawers, roller drawer slides and undermount drawer slides applications.

This product guarantees high performances, according to the Ferrari soft-closing standards.

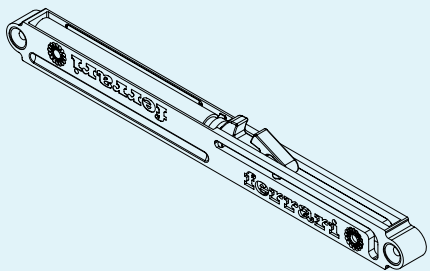
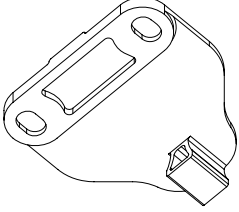
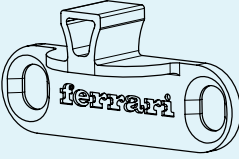
The product installation is quick and easy, the damper must be fixed on the cabinet side and the plate on the drawer side.

This product is available in grey RAL 7004.

The damper for slides and drawers is tested and guaranteed up to 100,000 cycles.

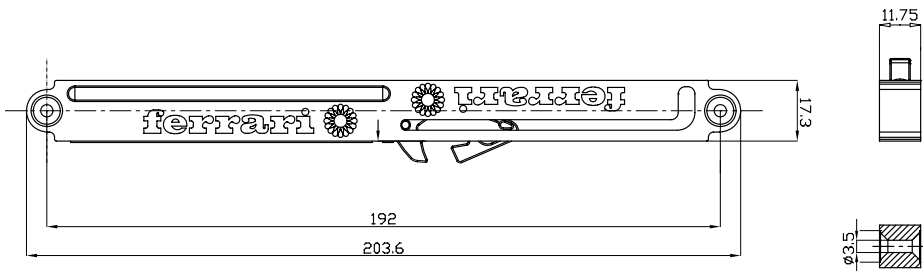
This is also an after-market product and is fit for the do-it-yourself market.

## Gamma prodotti

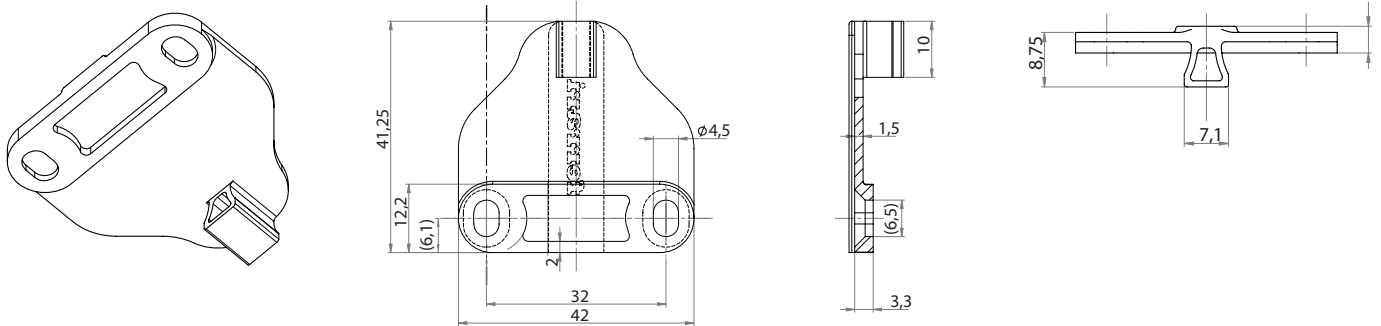
Code	Description	Material	Image	Pcs. per box
DMC09I	Damper for drawers and slides	Plastic		300
DMC29I	Plate for metal drawers	Plastic		300
DMC19I	Plate for slides	Plastic		900

## Technical details

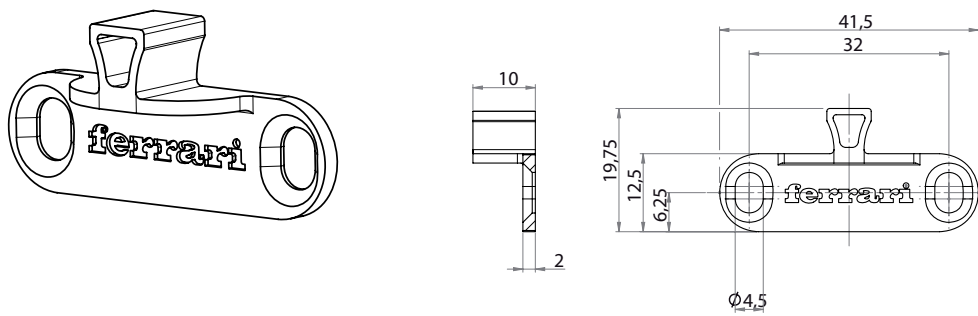
### Damper



### Plate for metal drawers

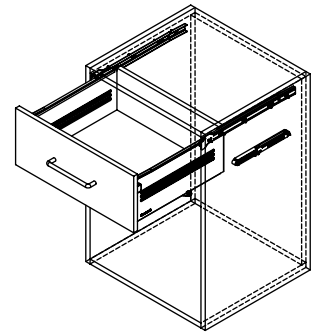
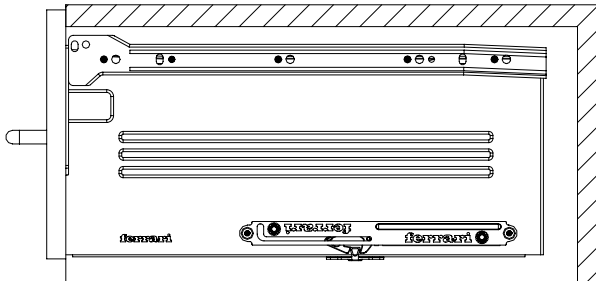


### Plate for roller slides

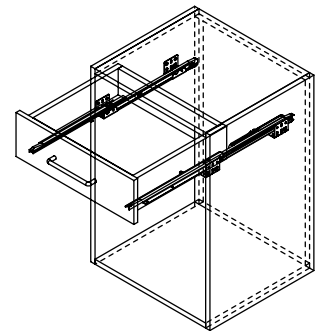
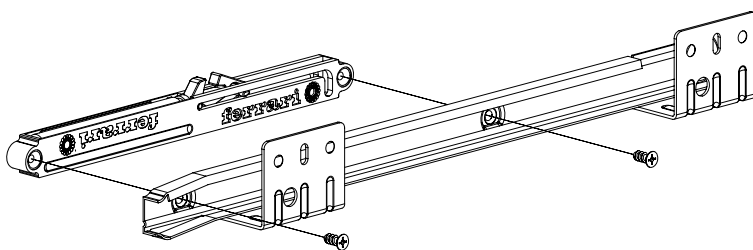


# Applications

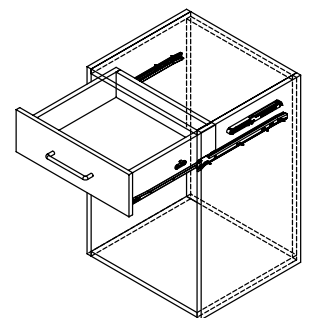
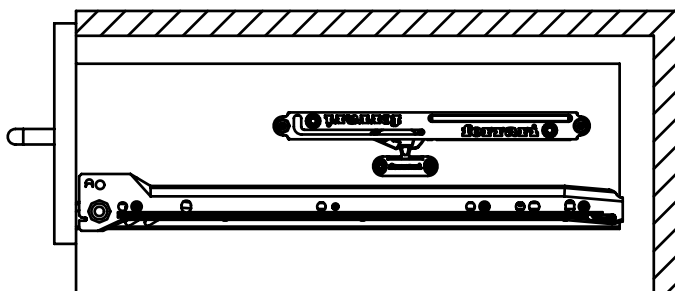
## Metal drawers



## Undermount roller slides



## Standard roller slides









#### ITALY

Ferrari Point srl  
Via E. Fermi, 4 - Loc. Olmi  
I-31048 S. Biagio di Callalta (TV) - Italy  
Tel.: +39 0422 892389  
Fax: +39 0422 892296

#### AMERICA

Ferrari America Inc.  
4189 Eagle Hill Driver Suite 110  
27265 High Point - North Carolina USA  
Tel.: +1 336 8411445  
Fax: +1 336 8413543  
Web: [www.ferrariamerica.com](http://www.ferrariamerica.com)  
e-mail: [info@ferrariamerica.com](mailto:info@ferrariamerica.com)

#### CHINA

Ferrari Shunde R.O  
New world China Land Shunde 15D  
NO.148 Qinghui Road  
Daliang Shunde 528308  
FoShan China  
Tel.: +86 757 22306761-2

#### GERMANY

Agostino Ferrari Germany GmbH  
Im Meisenfeld 5  
32602 Vlotho-Exter Germany  
Tel. +49 522 896080  
Fax. +49 522 8960824  
[www.ferrari-fittings.de](http://www.ferrari-fittings.de)  
e-mail: [ferrari@ferrari-fittings.de](mailto:ferrari@ferrari-fittings.de)

#### UK

Euro-Fit Systems Ltd  
Barmston Road - Beverley - East Yorkshire  
HU17 0LA - United Kingdom  
Tel.: +44 8071 296030  
Fax: +44 8071 296040  
Web: [www.eurofitsystems.com](http://www.eurofitsystems.com)  
e-mail: [info@eurofitsystems.com](mailto:info@eurofitsystems.com)

#### SLOVAKIA

A. Ferrari Sk, s.r.o.  
Levočská 3013/50  
05801 Poprad Slovakia  
Tel.: +421 52 7722105  
Fax: +421 52 7793900



Copyright Ferrari. Subject to technical modifications and changes to the range without notice.

05ENG02  
Printed in Italy

#### A. Ferrari S.p.A.

23878 Verderio Superiore (LC) - Italy  
Via per Cornate, 45  
Tel: +39 039 59 00  
Fax: +39 039 590 022 2

[www.ferrarisp.it](http://www.ferrarisp.it)  
e-mail: [ferrarisp@ferrarisp.it](mailto:ferrarisp@ferrarisp.it)

