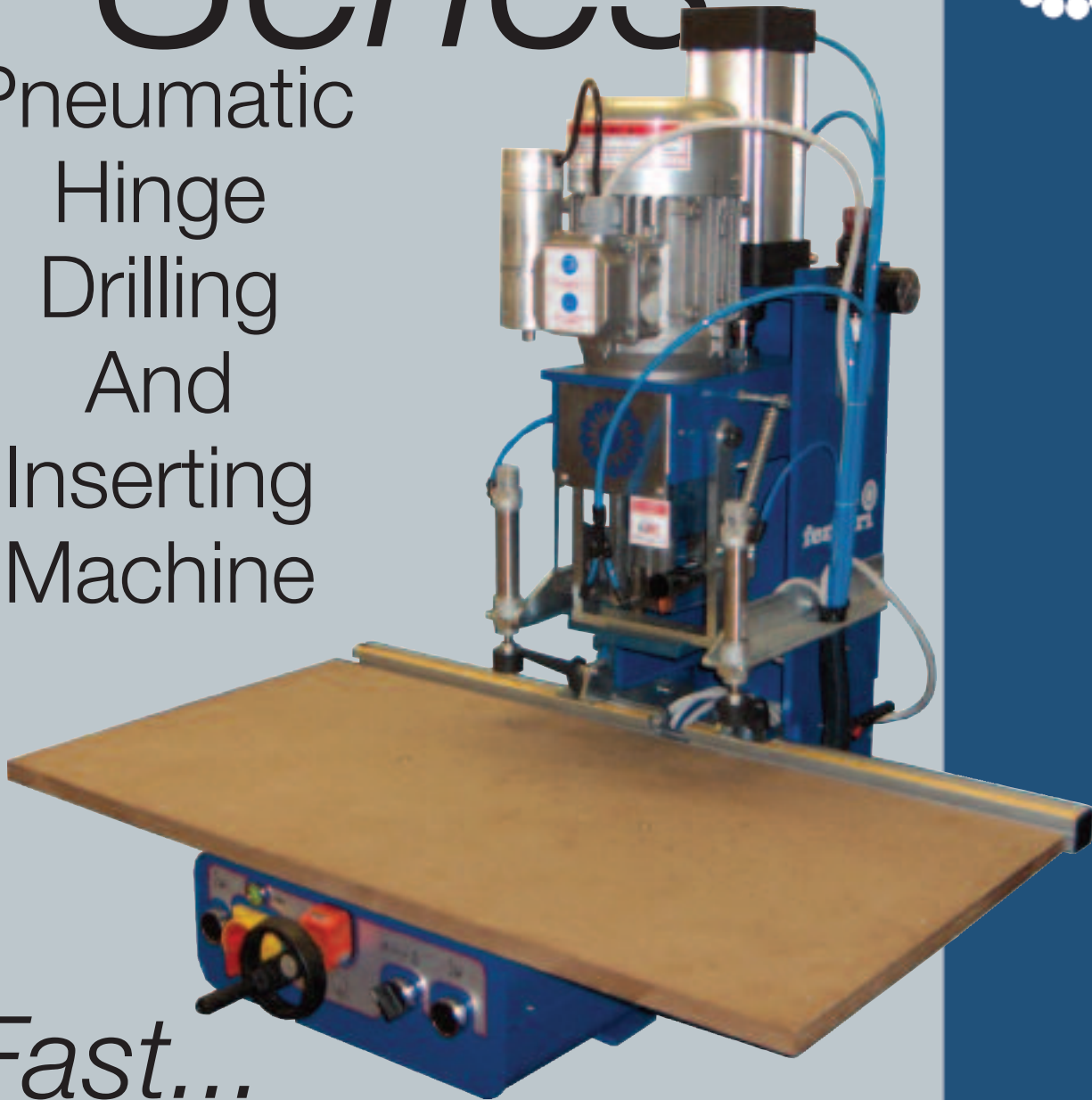


# RC Series

Pneumatic  
Hinge  
Drilling  
And  
Inserting  
Machine



*Fast...*

*Easy...*

*Precise!*



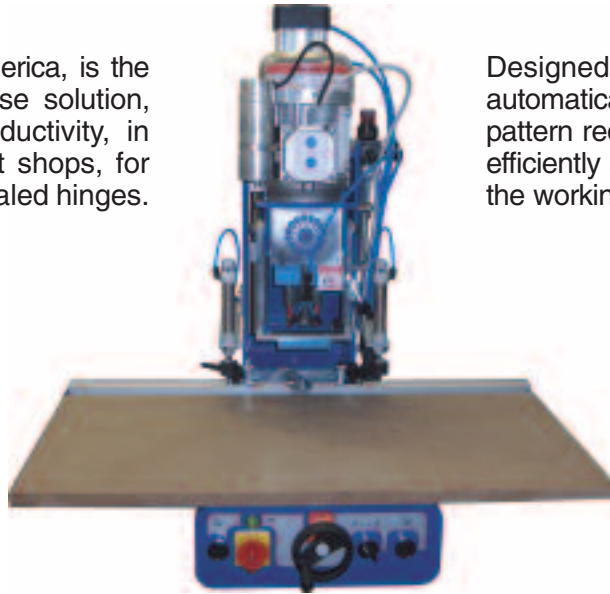
# Ferrari

# RC Series

## Pneumatic Hinge Drilling & Inserting Machine

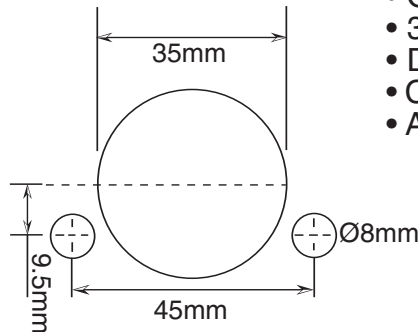
The RC Series from Ferrari America, is the fast, affordable and easy to use solution, which provides increased productivity, in small to medium sized cabinet shops, for installing European style concealed hinges.

Designed for precision, the RC Series automatically drills the three hole boring pattern required for Ferrari hinges, and then efficiently and securely inserts the hinge into the working piece.



### DRILLING PATTERN

- Backstop Door Alignment Fence
- Pneumatic Hold Down Clamps for Door
- Available Motors: 110v~1 Phase, 220v~1 Phase, 220v~3 Phase, 220/440v~3 Phase

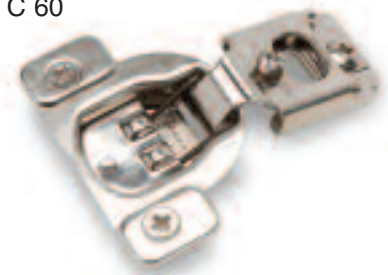


- Quick, Simple and Safe Controls
- 3-Spindle Drilling Head Unit
- Dowel Bits: Ø 8mm, Ø 10mm
- Cup Bit: Ø 35 mm
- Adjustable Stops

H 91 Hinge



C 60



“Works Equally Well With  
Frameless & Face Frame Hinges.”

  
**ferrari america**

4189 Eagle Hill Drive, Suite 110 High Point, NC 27265

Tel. 1-800-664-4872 Fax 1-800-406-2224

Email: [info@ferrariamerica.com](mailto:info@ferrariamerica.com)

[www.ferrariamerica.com](http://www.ferrariamerica.com)