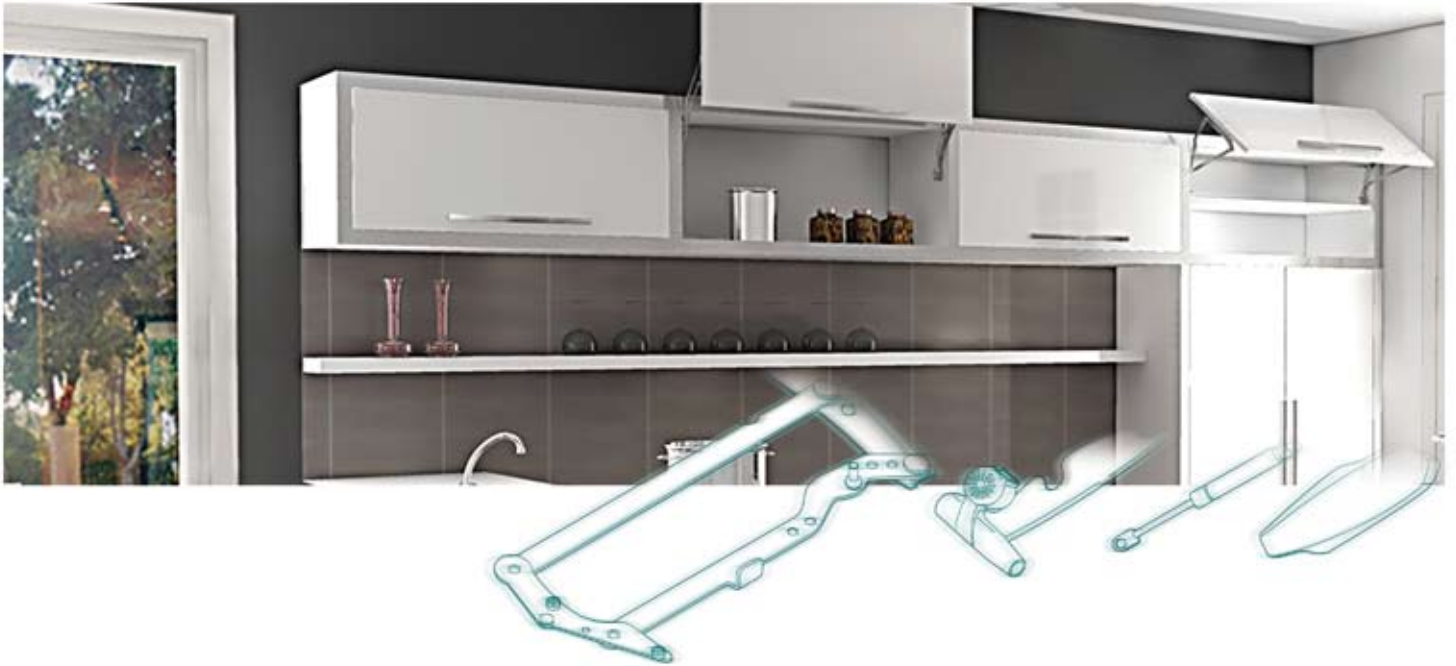


Wing
Lid stay



Index

Technical Information	2
Product Selection Chart	3
Mounting Examples.....	4
Dimensions	5
Codes	8



Technical Information

Wing is an innovative lid stay. Two main versions are available, the parallel lifting flap and the inclined "up and over" lift system.

The up and over version is available with 35° and 45° door inclinations.

Wing is unique because it's the most compact and the least intrusive lift system available on the market: it's less than 6 cm deep.

Wing is the optimal combination of functionality, design, comfort and aesthetics and has the best quality/price ratio.

The product characteristics

make it ideal for kitchen and bath cabinets

The built-in door dampers are positioned in elegant cases and enable a smooth soft-closing. The door opening is easy and smooth due to the gas pistons, which are available in different forces according to the door weight.

The stability connection bar made of aluminium enables a balanced and stable motion. The 3D adjustment and the installation are easy, quick and self-explanatory. The installation is even easier thanks to the

clear instruction manual.

The elegant optional carter, available in different colours, conceals the system and adds even more class to the cabinet.

Versions for wooden doors or aluminium frames are available.

Wing is a 100% Italian design product.



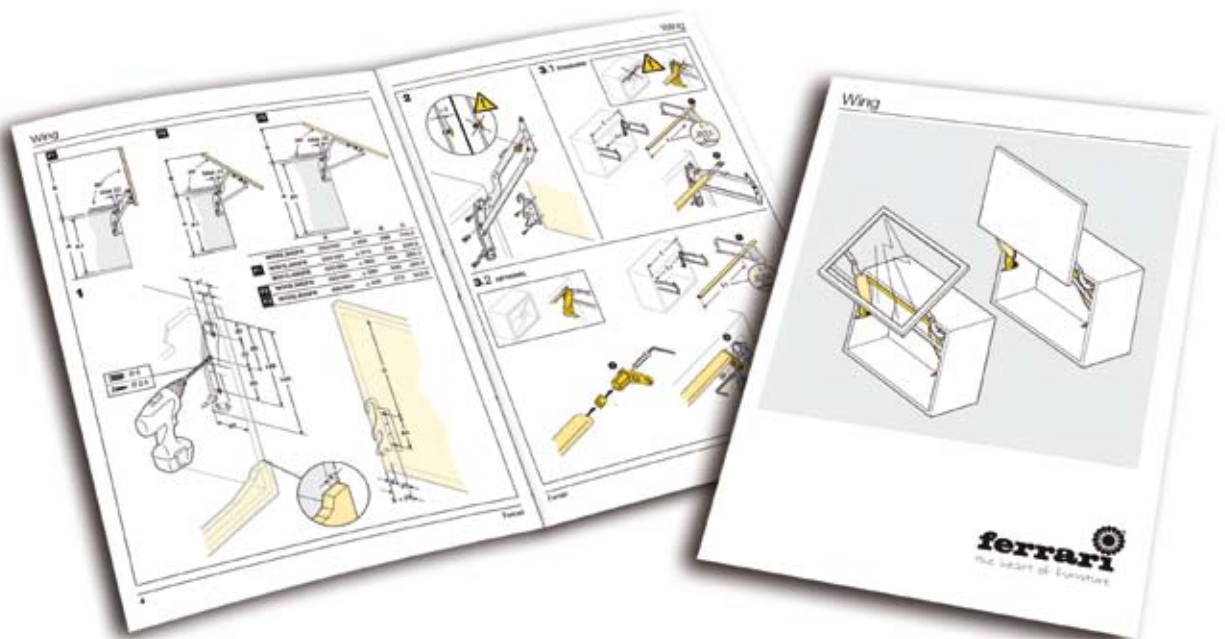
Quick and easy 3D adjustment.



Great balance and stability with the connection bar made of aluminium.

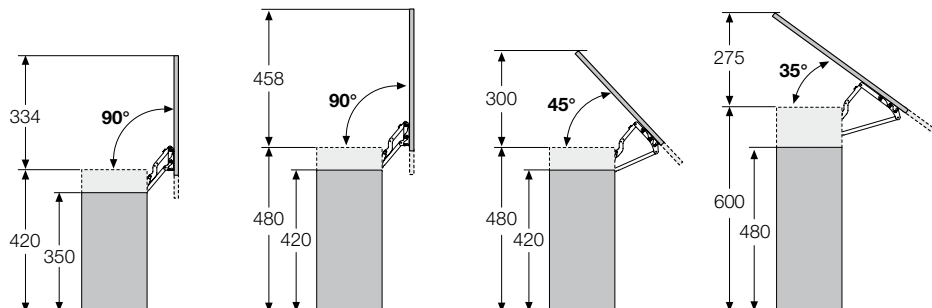


Elegant optional carter, available in different colours.



The installation is quick and easy with the instruction manual.

Product Selection Chart



System

Code	WI01L35GFK	WI01L48GFK	WI45L48GFK
Description	Parallel opening	Parallel opening	Inclined opening
Minimum Space needed for Installation [H] mm	≥ 310	≥ 380	≥ 380
Door Damper	■	■	■

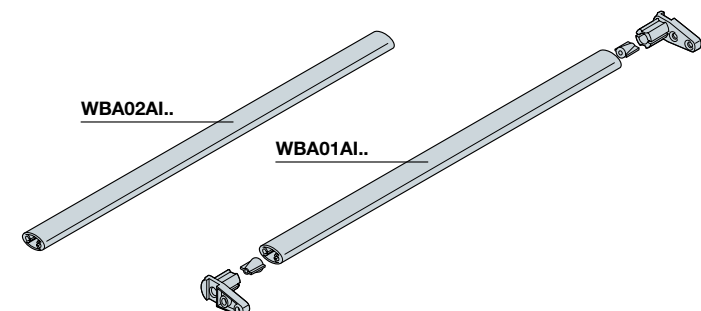
Gas Pistons

Code	Force [N]	Door [Kg]		Door [Kg]		Door [Kg]	
		from	to	from	to	from	to
PGA175C100C	100	0	2	0	1.2	0	1.3
PGA175C150C	150	1.5	3.5	1	2.4	1	2.2
PGA175C200C	200	3	5.5	2	3.9	2	5
PGA175C250C	250	5	7.5	3.5	5.6	4.5	6.4
PGA175C300C	300	7	9.5	5	6.9	6	7.8
PGA175C350C	350	9	11.1	6.5	8.1	7.5	9
PGA175C400C	400	10.5	13.5	8	9.5	8.5	10.4

Carter

Code	Colour			
WICAAI	Silver	■	■	■
WICAFI	Black RAL 9005	■	■	■
WICA9I	Grey RAL 7004	■	■	■
WICA4I	Chrome plated	■	■	■

Connection bars

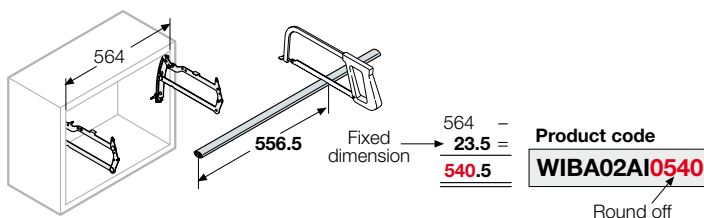


Code	Description
WIBA02AI **	Connection bar for wooden doors without carter
WIBA01AI **	Connection bar for wooden doors with carter or for alu framed doors

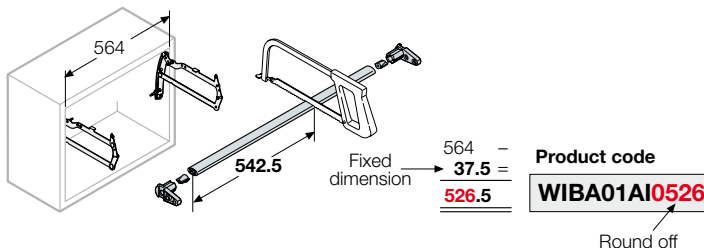
**The code should be completed with the bar length (see the example).

Encoding the connection bar: example

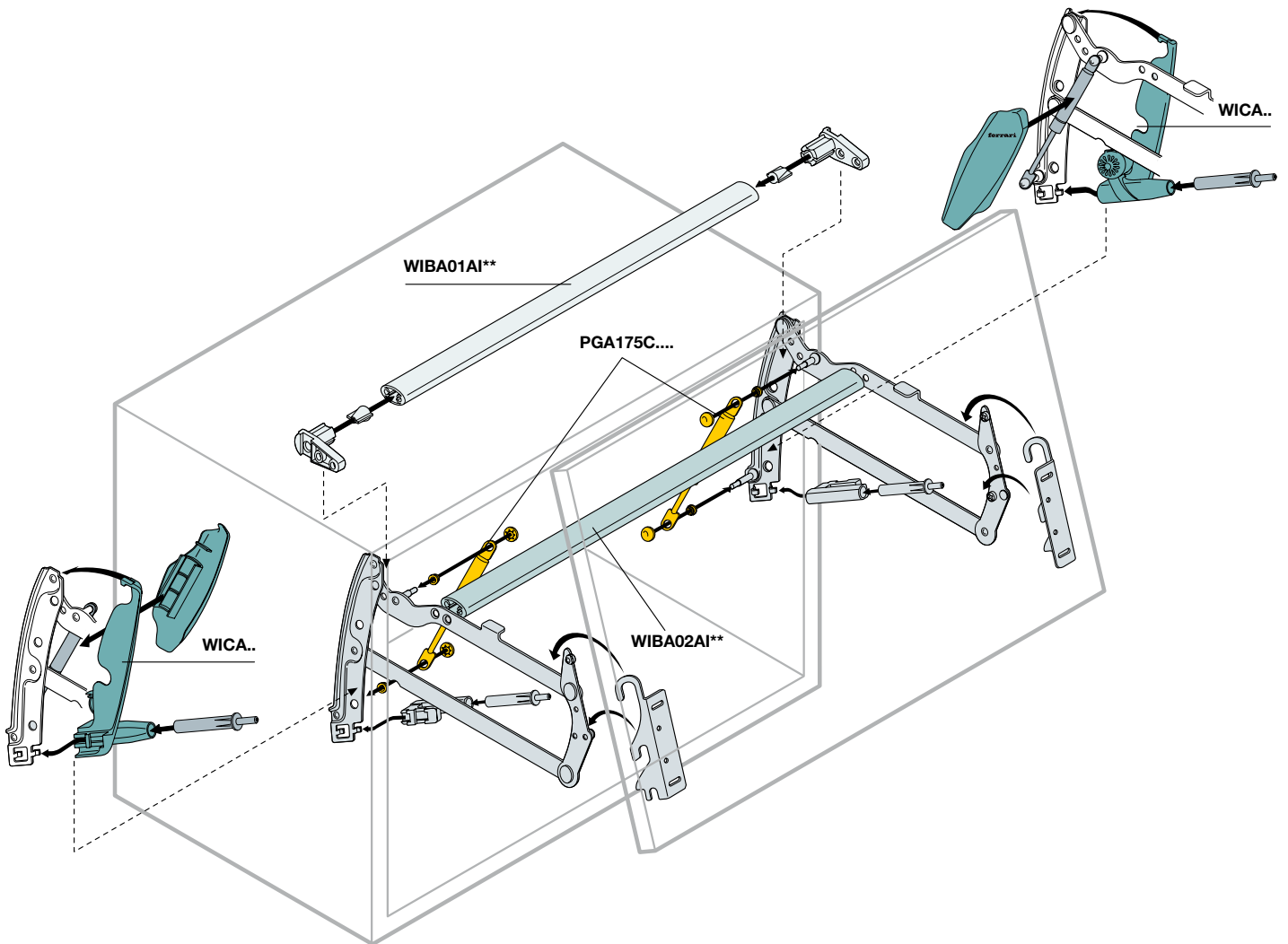
Wooden doors without carter



Wooden doors with carter or alu framed doors

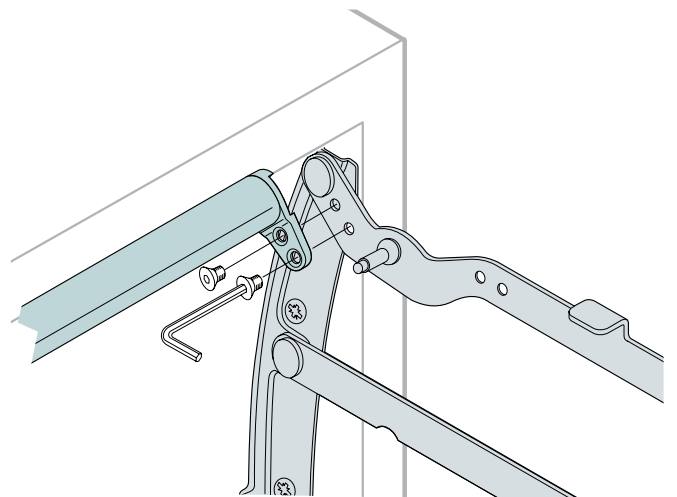
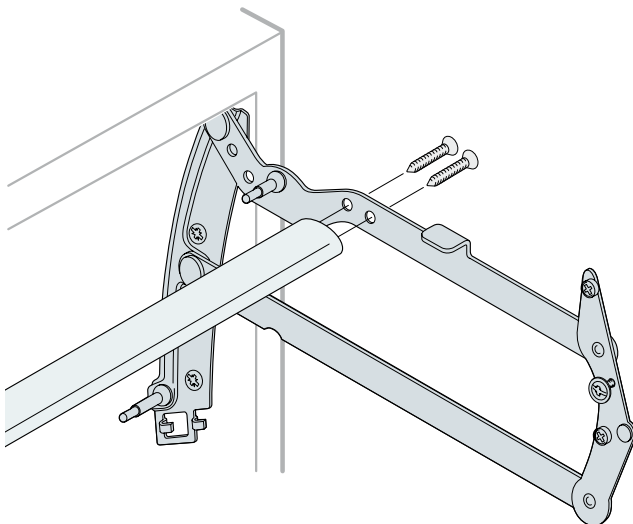


Mounting Examples



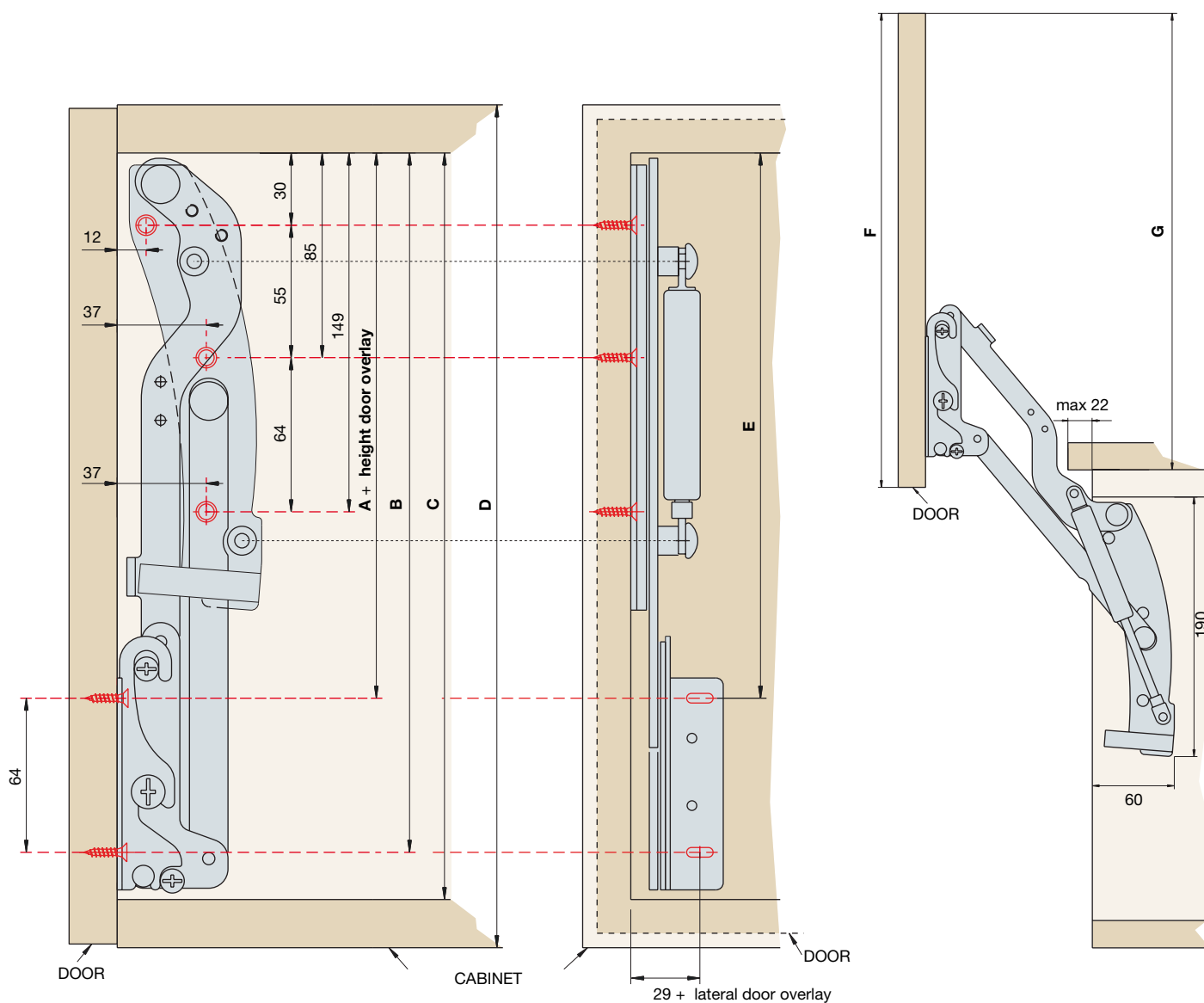
Mounting the connection bar for wooden doors without using the carter.

Mounting the connection bar for wooden doors using the carter or for alu framed doors.



Dimensions

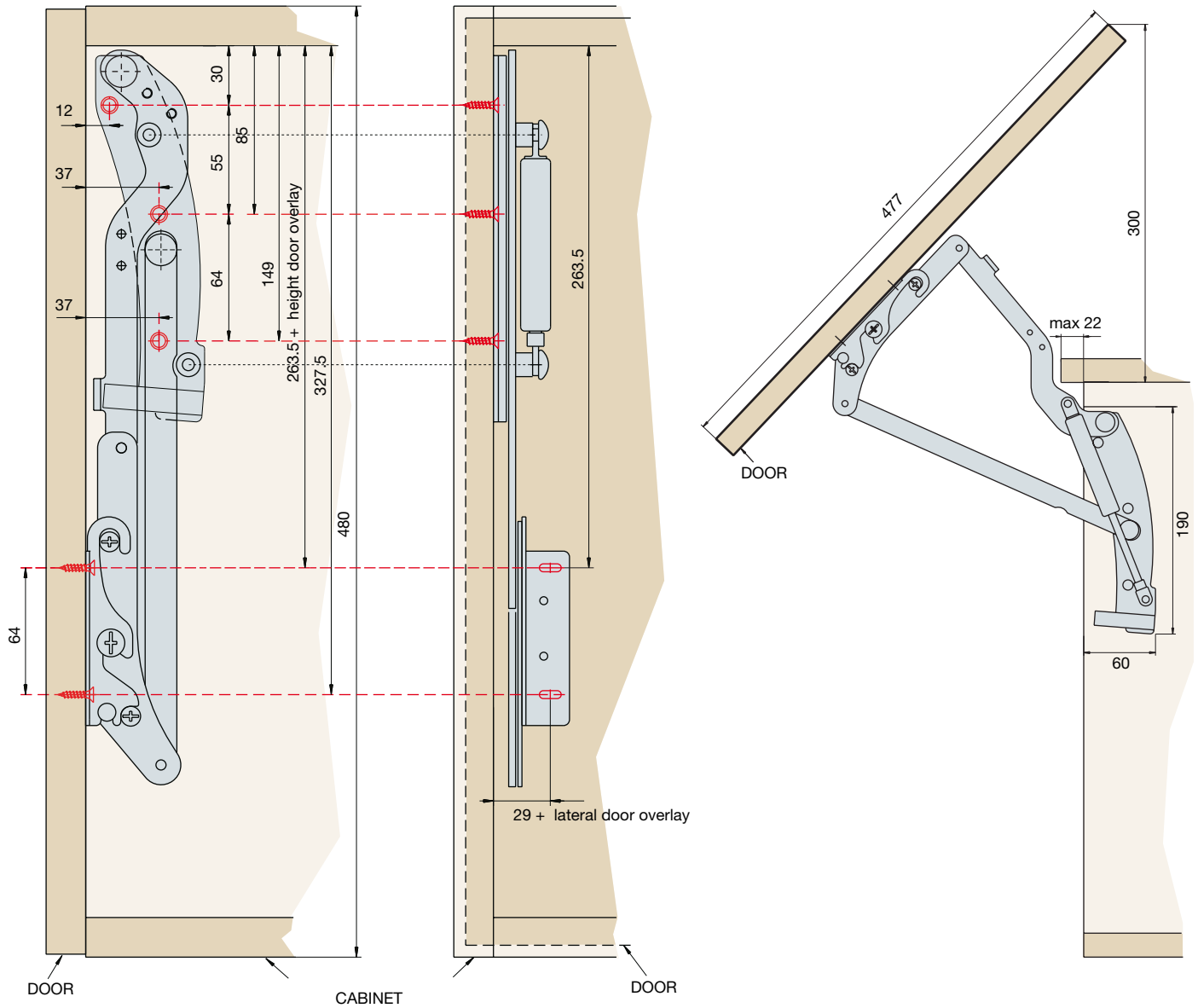
Parallel Opening Lift System
WI01L35GFK - WI01L48GFK



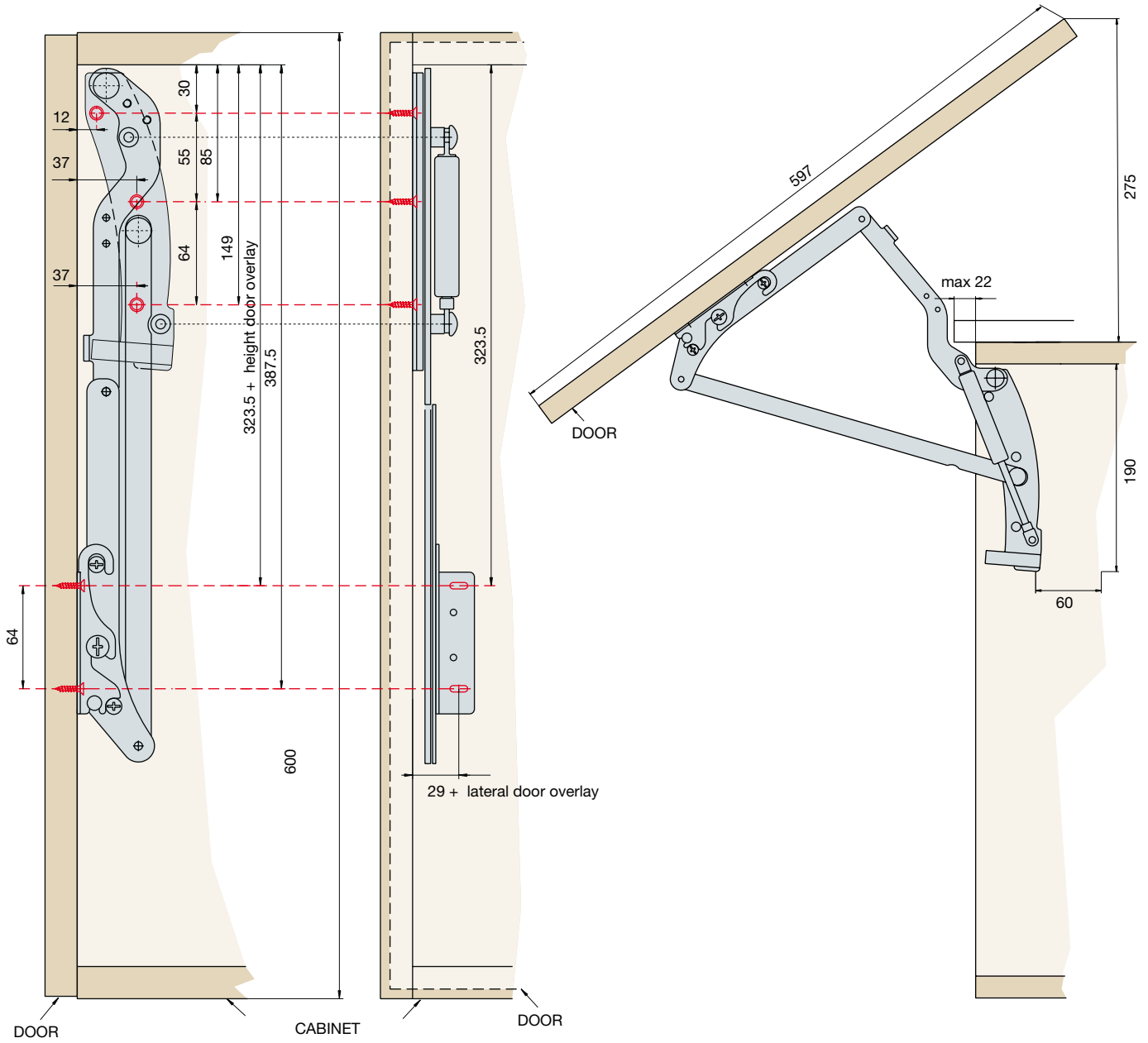
	A	B	C	D	E	F	G
WI01L35GFK	226.5	290.5	310	350	226.4	347	334
WI01L48GFK	263.5	327.5	440	480	263.5	477	458

Dimensions

45° Inclined Opening Lift System
WI45L48GFK

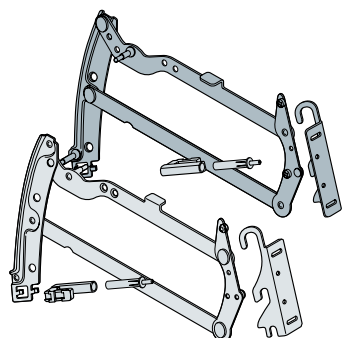


35° Inclined Opening Lift System WI35L60GFK



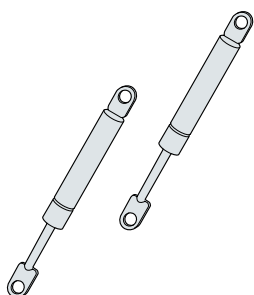
Codes

Lift Systems



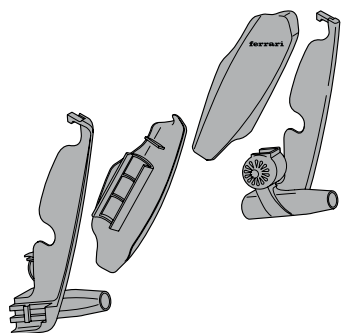
Code	Description	Minimum Space needed for Installation [H] mm	Unit/Pack
WI01L35GFK	Lift System for Parallel Door Opening	≥ 310	1/1
WI01L48GFK	Lift System for Parallel Door Opening	≥ 380	1/1
WI45L48GFK	Lift System for 45° Door Opening	≥ 380	1/1
WI35L60GFK	Lift System for 35° Door Opening	≥ 435	1/1

Gas Pistons



Code	Description	Force [N]	Unit/Pack
PGA175C100C	N°1 Gas Pistons	100	1/1
PGA175C150C	N°1 Gas Pistons	150	1/1
PGA175C200C	N°1 Gas Pistons	200	1/1
PGA175C250C	N°1 Gas Pistons	250	1/1
PGA175C300C	N°1 Gas Pistons	300	1/1
PGA175C350C	N°1 Gas Pistons	350	1/1
PGA175C400C	N°1 Gas Pistons	400	1/1

Carter



Code	Description	Colore	Unit/Pack
WICAAI	N°2 carter (left and right)	Silver	1/1
WICAFI	N°2 carter (left and right)	Black RAL 9075	1/1
WICA9I	N°2 carter (left and right)	Grey RAL 7004	1/1
WICA4I	N°2 carter (left and right)	Chrome plated	1/1

Connection bar



Code	Description	Unit/Pack
WIBA02AI**	Connection bar for wooden doors without carter	1/1

Code	Description	Unit/Pack
WIBA01AI**	Connection bar for wooden doors with carter or for alu framed doors	1/1

** The code should be completed with the bar length (see the example on page 3).



ITALY

Ferrari Point srl
Via E. Fermi, 4 - Loc. Olmi
I-31048 S. Biagio di Callalta (TV) - Italy
Tel.: +39 0422 892389
Fax: +39 0422 892296

AMERICA

Ferrari America Inc.
4189 Eagle Hill Driver Suite 110
27265 High Point - North Carolina USA
Tel.: +1 336 8411445
Fax: +1 336 8413543
Web: www.ferrariamerica.com
e-mail: info@ferrariamerica.com

CHINA

Ferrari Shunde R.O
New world China Land Shunde 15D
NO.148 Qinghui Road
Daliang Shunde 528308
FoShan China
Tel.: +86 757 22306761-2

GERMANY

Agostino Ferrari Germany GmbH
Im Meisenfeld 5
32602 Vlotho-Exter Germany
Tel. +49 5228 96080
Fax. +49 5228 960824
www.ferrari-fittings.de
e-mail: ferrari@ferrari-fittings.de

UK

Euro-Fit Systems Ltd
Barmston Road - Beverley - East Yorkshire
HU17 0LA - United Kingdom
Tel.: +44 8071 296030
Fax: +44 8071 296040
Web: www.eurofitsystems.com
e-mail: info@eurofitsystems.com

SLOVAKIA

A. Ferrari Sk, s.r.o.
Levočská 3013/50
05801 Poprad Slovakia
Tel.: +421 52 7722105
Fax: +421 52 7793900



Copyright Ferrari. Con riserva di modifiche tecniche e del programma di produzione.

03ENG01
Printed in Italy

A. Ferrari S.p.A.

23878 Verderio Superiore (LC) - Italy
Via per Cornate, 45
Tel: +39 039 59 00
Fax: +39 039 590 022 2

www.ferrarispaspa.it
e-mail: ferrarispaspa@ferrarispaspa.it

