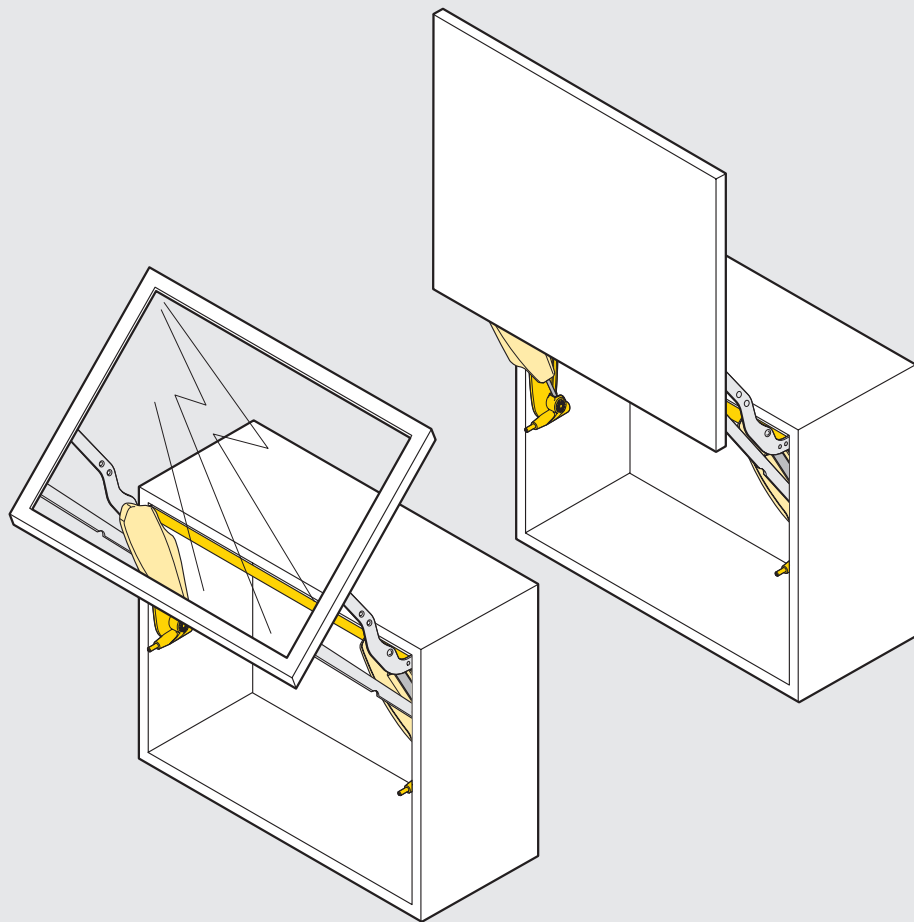
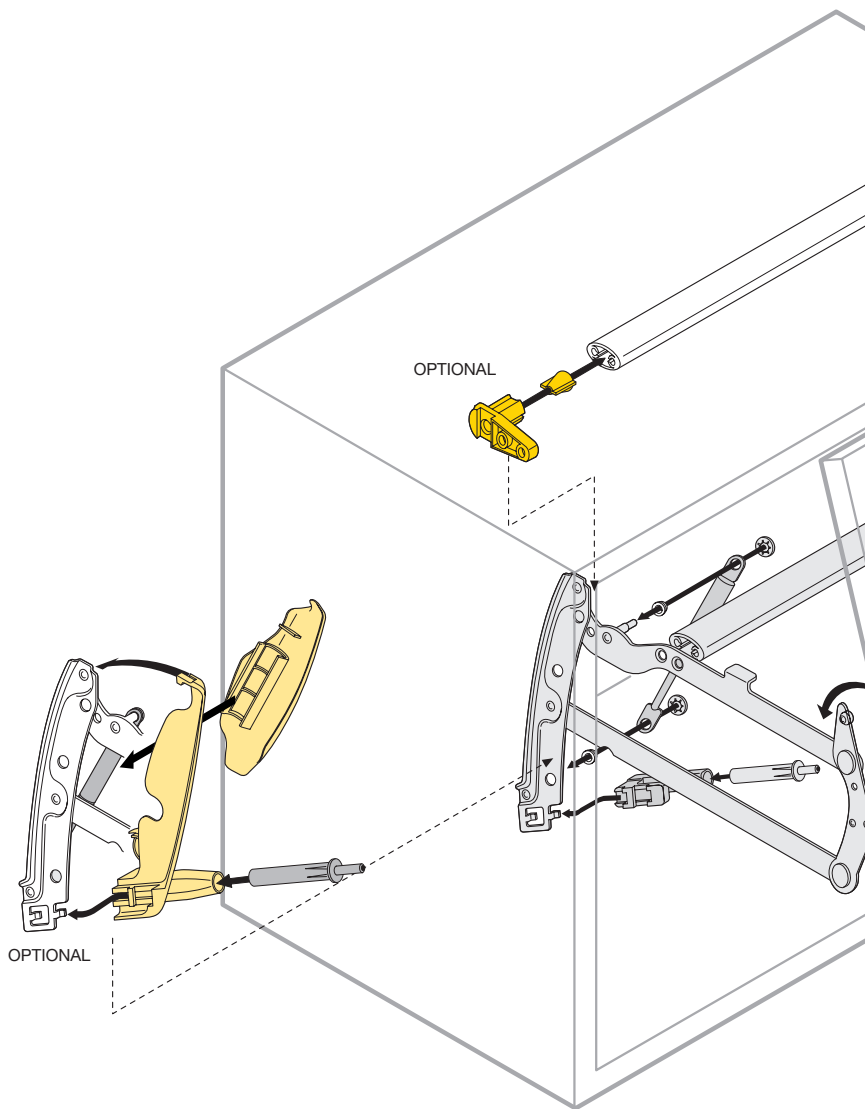
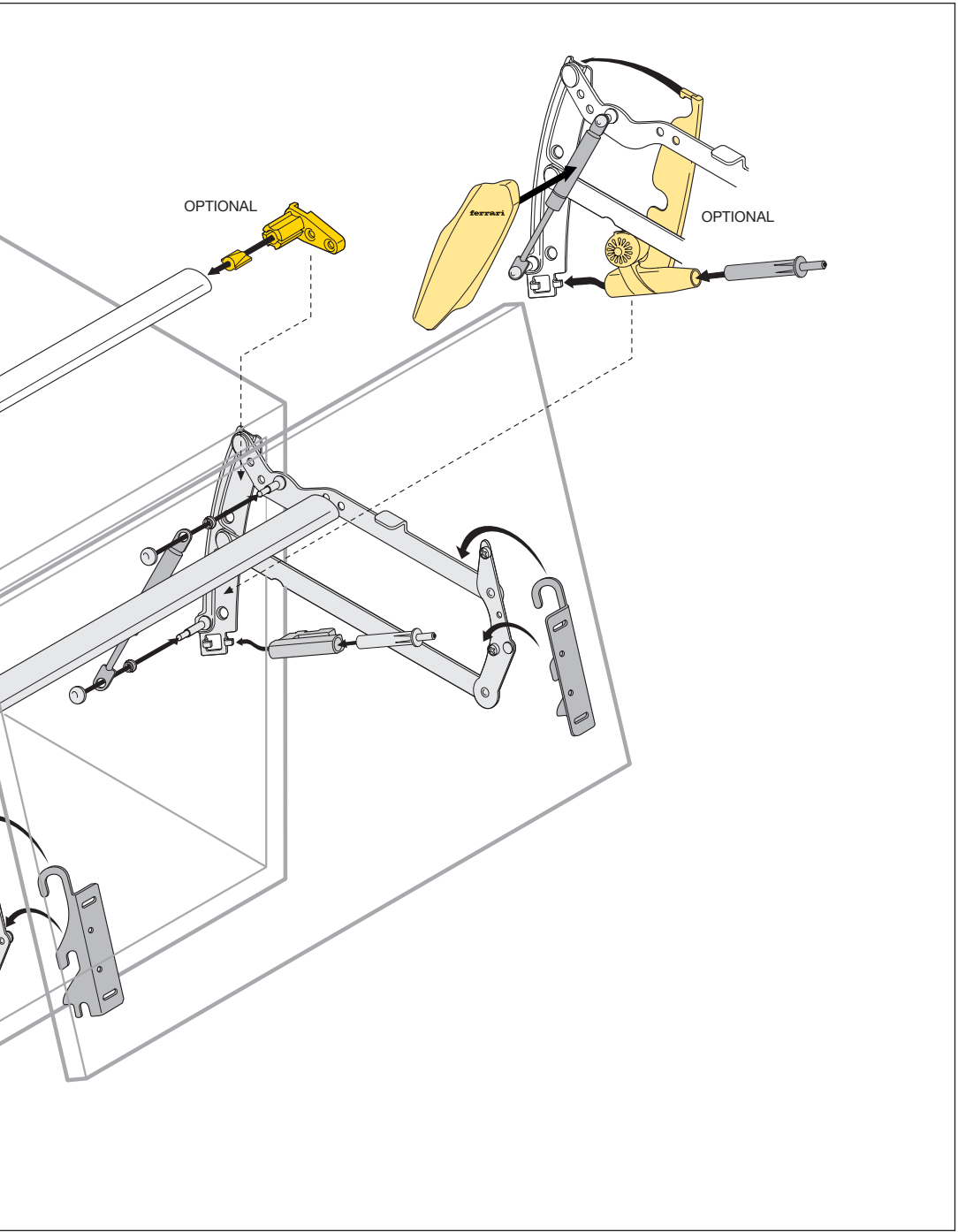
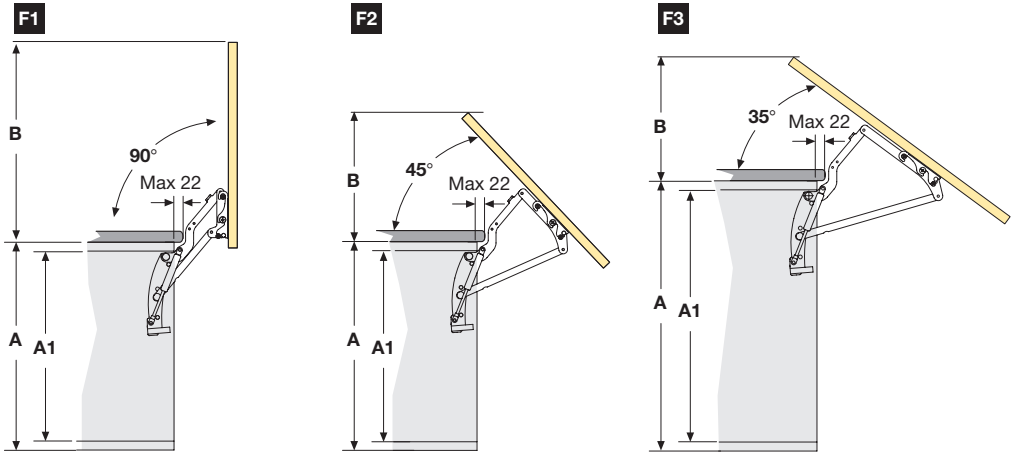


# Wing



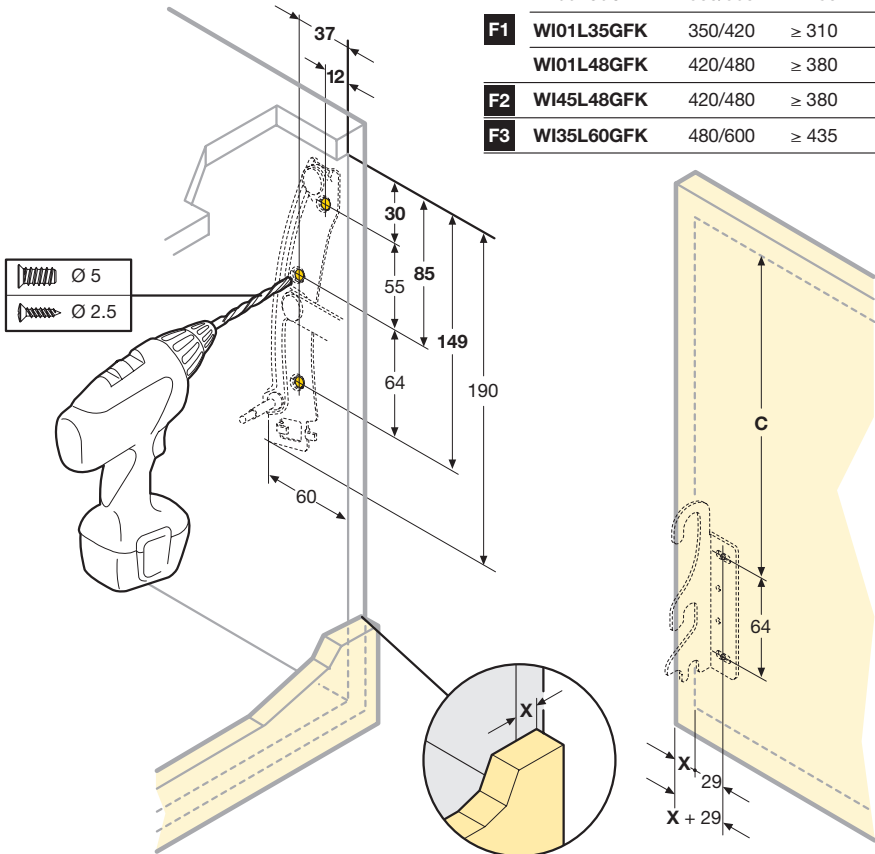




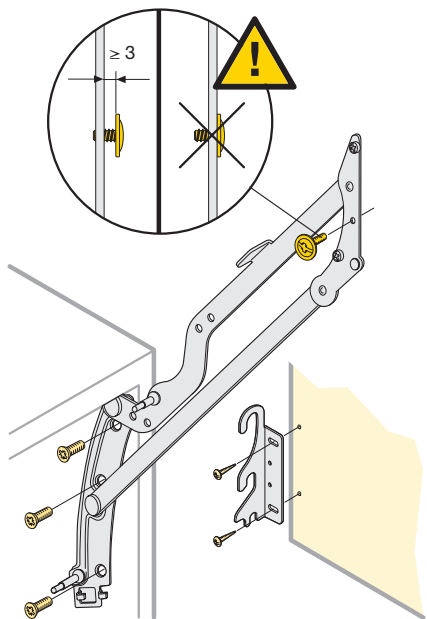


**1**

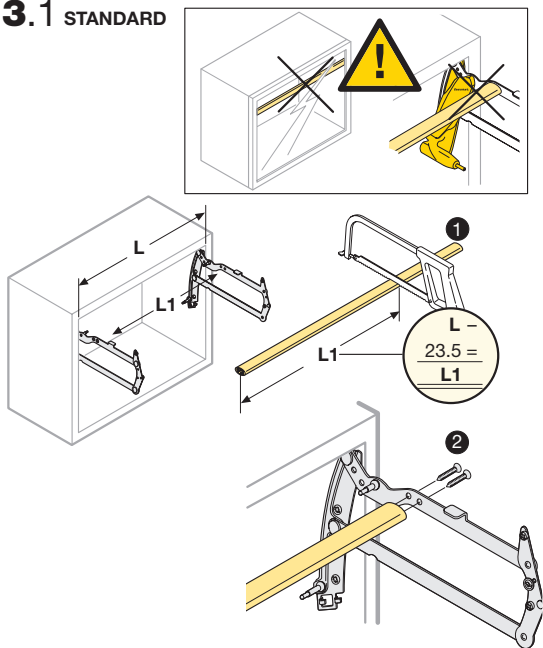
	A	A1	B	C
WI00L30GFK	300/350	≥ 260	246	176.5
<b>F1</b> WI01L35GFK	350/420	≥ 310	334	226.5
WI01L48GFK	420/480	≥ 380	458	263.5
<b>F2</b> WI45L48GFK	420/480	≥ 380	300	263.5
<b>F3</b> WI35L60GFK	480/600	≥ 435	275	323.5



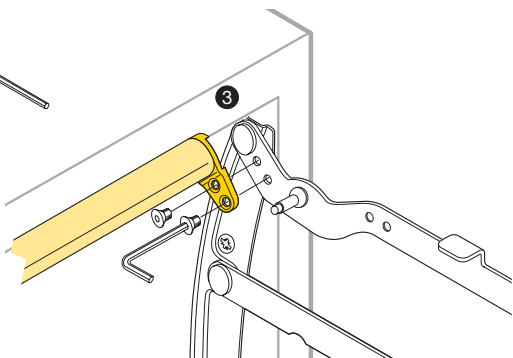
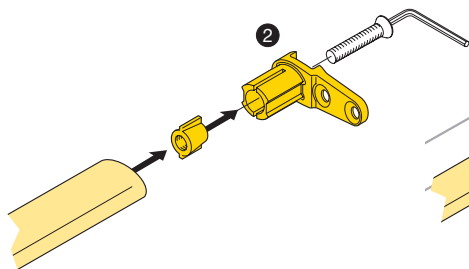
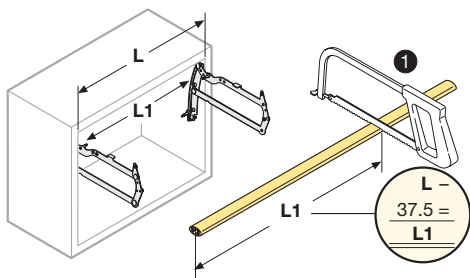
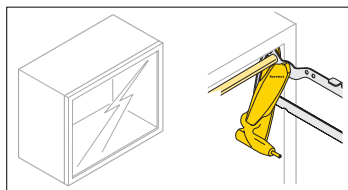
**2**



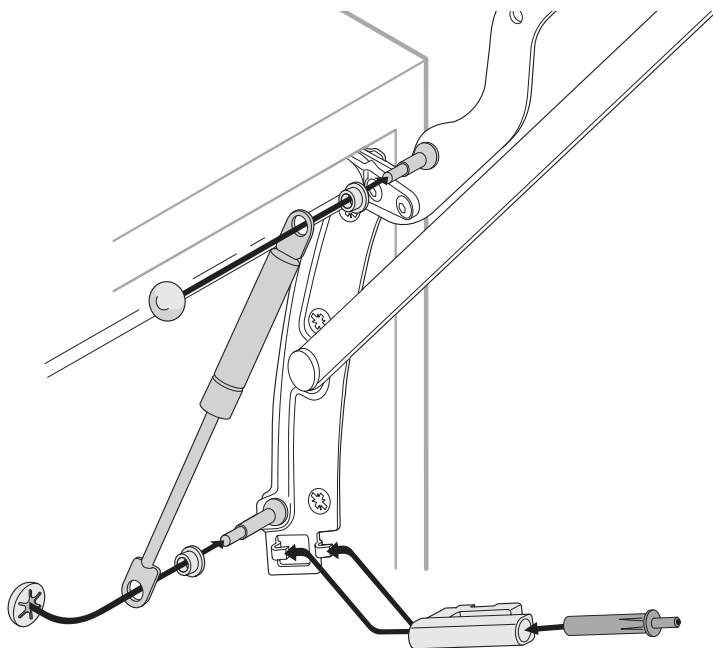
**3.1 STANDARD**



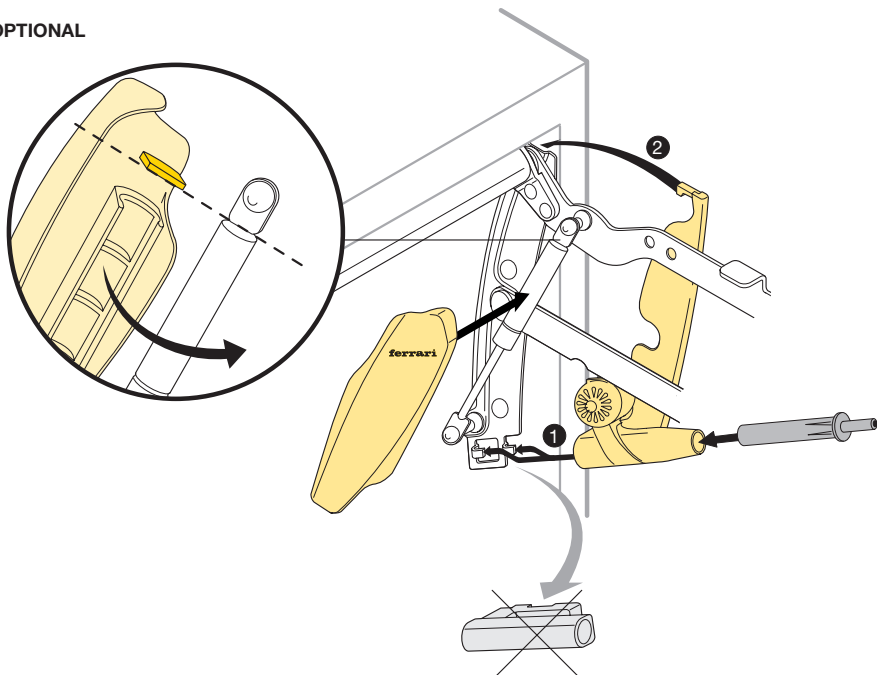
**3.2 OPTIONAL**



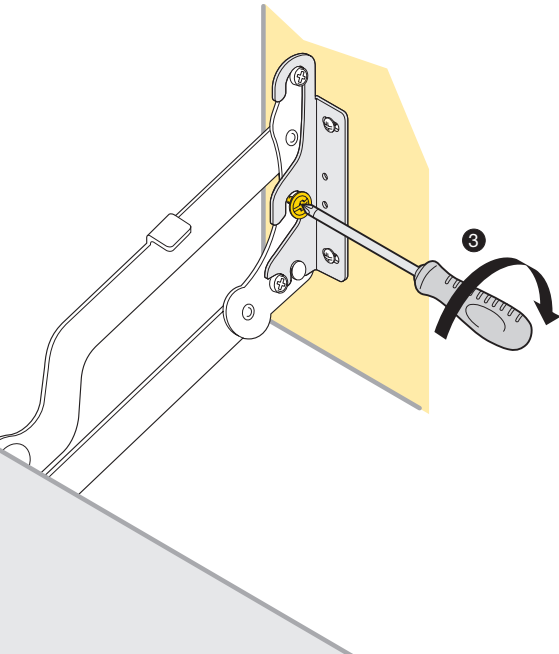
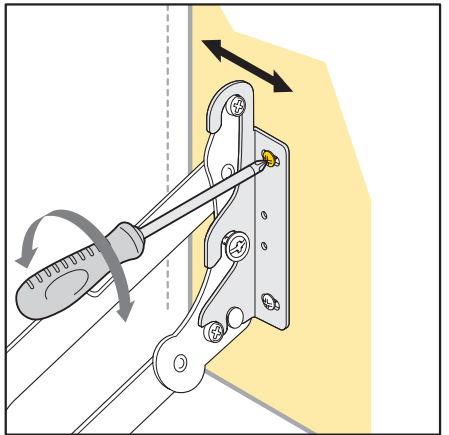
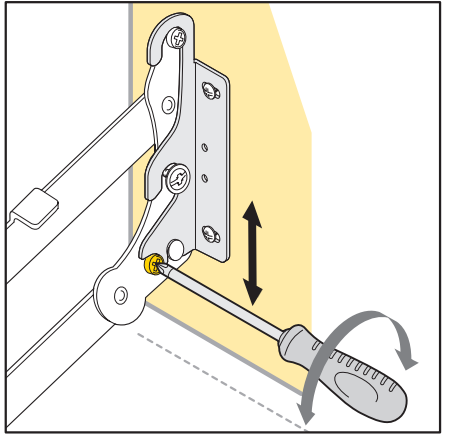
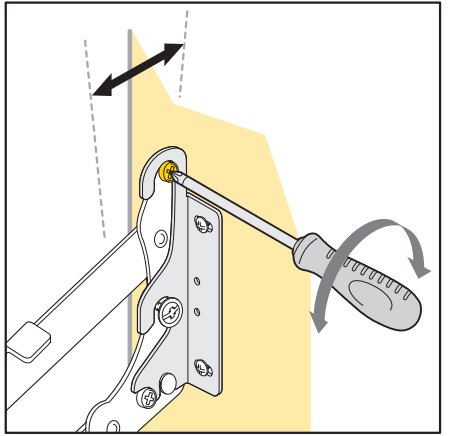
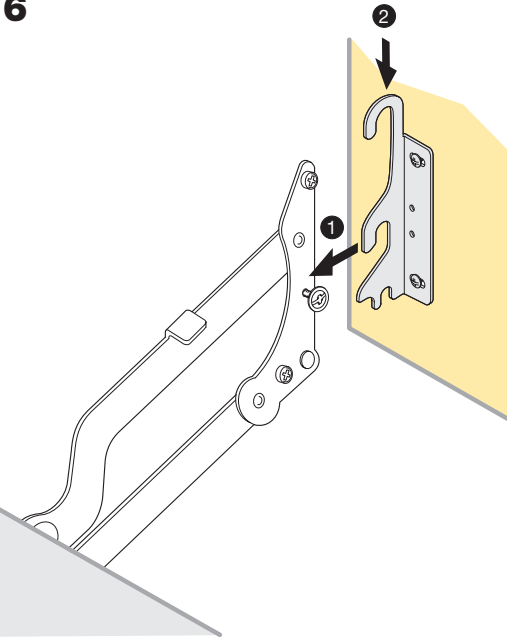
**4**



**5** OPTIONAL



6





### ITALY

Ferrari Point srl  
Via E. Fermi, 4 - Loc. Olmi  
I-31048 S. Biagio di Callalta (TV) - Italy  
Tel.: +39 0422 892389  
Fax: +39 0422 892296

### AMERICA

Ferrari America Inc.  
4189 Eagle Hill Driver Suite 110  
27265 High Point - North Carolina USA  
Tel.: +1 336 8411445  
Fax: +1 336 8413543  
Web: [www.ferrariamerica.com](http://www.ferrariamerica.com)  
e-mail: [info@ferrariamerica.com](mailto:info@ferrariamerica.com)

### CHINA

Ferrari Shunde R.O.  
New world China Land Shunde 15D  
NO.148 Qinghui Road  
Daliang Shunde 528308  
FoShan China  
Tel.: +86 757 22306761-2

### GERMANY

Agostino Ferrari Germany GmbH  
Im Meisenfeld 5  
32602 Vlotho-Exter Germany  
Tel. +49 522 896080  
Fax. +49 522 8960824  
[www.ferrari-fittings.de](http://www.ferrari-fittings.de)  
e-mail: [ferrari@ferrari-fittings.de](mailto:ferrari@ferrari-fittings.de)

### UK

Euro-Fit Systems Ltd  
Barmston Road - Beverley - East Yorkshire  
HU17 0LA - United Kingdom  
Tel.: +44 8071 296030  
Fax: +44 8071 296040  
Web: [www.eurofitsystems.com](http://www.eurofitsystems.com)  
e-mail: [info@eurofitsystems.com](mailto:info@eurofitsystems.com)

### SLOVAKIA

A. Ferrari SK, s.r.o.  
Levočská 3013/50  
05801 Poprad Slovakia  
Tel.: +421 52 7722105  
Fax: +421 52 7793900



**ferrari**

*the heart of furniture*

---

### A. Ferrari S.p.A.

23878 Verderio Superiore (LC) - Italy  
Via per Cornate, 45  
Tel: +39 039 59 00  
Fax: +39 039 590 022 2

[www.ferrarispa.it](http://www.ferrarispa.it)  
e-mail: [ferrarispa@ferrarispa.it](mailto:ferrarispa@ferrarispa.it)