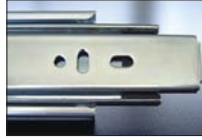


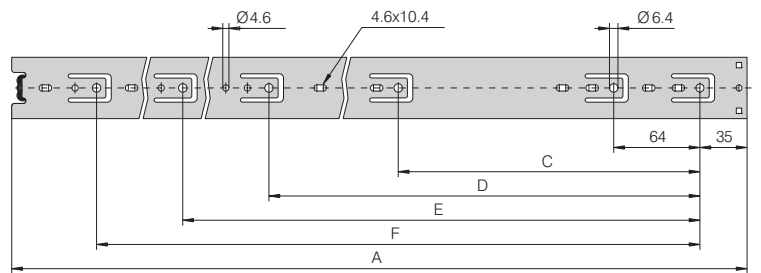
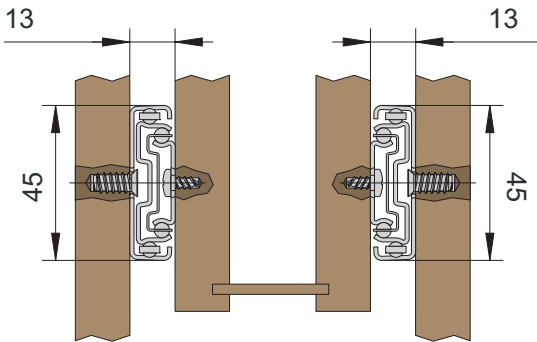


BALL BEARING SLIDES H 45 mm

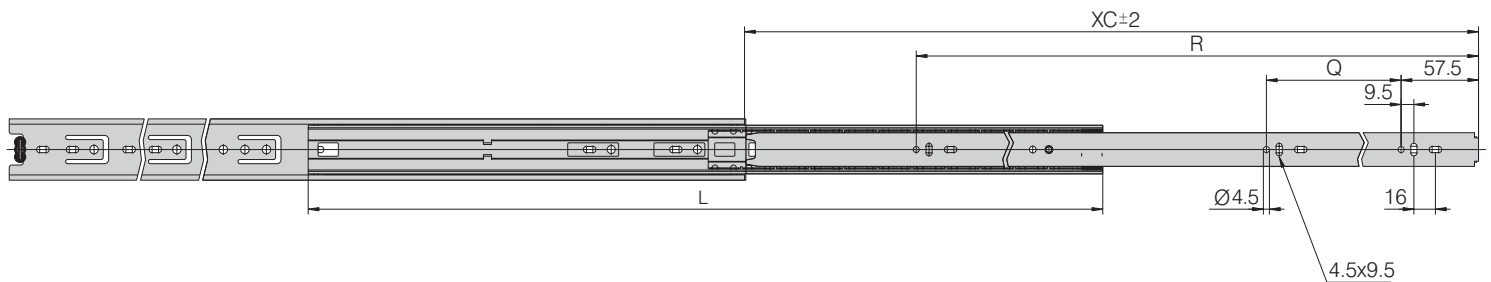


Ball Bearing slides, height 45 mm
 Full extension, guiding double tracks, stop in opening
 Mounting in the drawer side
 Load capacity: 100Lbs - 45kg
 Finish: zinc-plated (other finishing are available on request)
 Length: from 10 to 36 Inches

MOUNTING SCHEME



A	COD.	L	C	D	E	F	XC	Q	R
254	BB250F45RI	238	148				254	176	
305	BB300F45RI	289	224				305	96	224
356	BB350F45RI	340	224				356	128	256
406	BB400F45RI	390	224	288			406	160	320
457	BB450F45RI	441	224	352			457	160	352
508	BB500F45RI	492	224	352	416		508	192	416
559	BB550F45R	543	224	352	416		559	224	448
610	BB600F45RI	594	224	352	480		610	256	512
660	BB650F45RI	644	224	352	544		660	288	576
711	BB700F45RI	695	224	352	544		711	288	576
762	BB750F45RI	746	224	352	512	640	762	288	608
813	BB800F45RI	797	224	352	512	640	813	320	672
864	BB850F45RI	848	224	352	608	736	864	352	736
914	BB900F45RI	898	224	352	608	736	914	352	736



Per ulteriori informazioni rivolgersi a: **ITALY:** Agostino Ferrari S.p.a.
 23878 Verderio S. (LC) Via per Cornate - Italy
 Tel. ++39.039.59001 Fax ++39.039.5900222
 Web Site://www.ferrarispa.it
 e-mail: ferrarispa@ferrarispa.it

USA: Ferrari America INC
 4189 Eagle Hill Drive, Ste. 110
 High Point, NC 27265
 Phone: 800-664-4872
 Fax: 800-406-2224