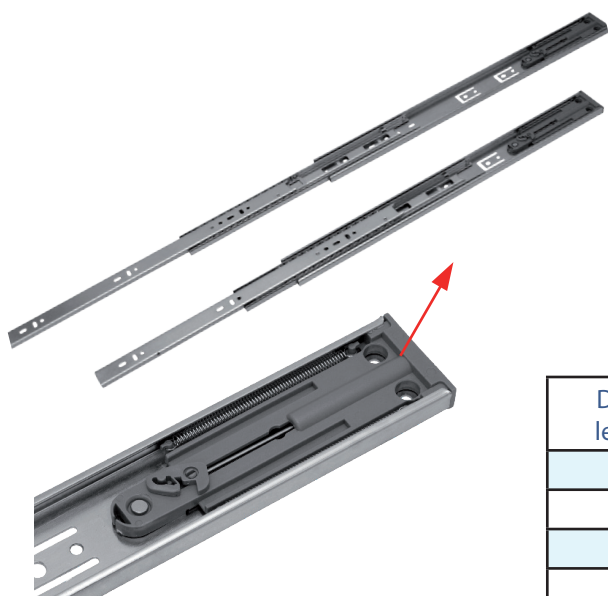




Ball Bearing drawer slides

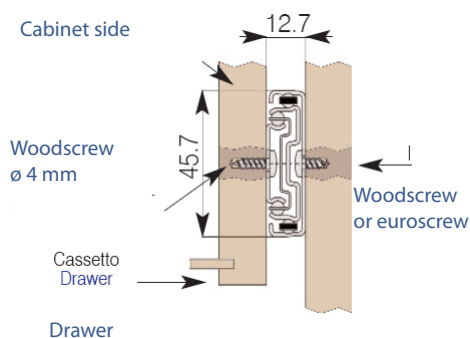


Soft closing ball bearing drawer slides h 45 mm, full extension



- Mounting on drawer side
- Separable cabinet and drawer profiles for mounting
- Guiding double tracks, stop in opening
- Load capacity 45 kg per set

Drawer lengths	Code
14"	BBD014F45RI
16"	BBD016F45RI
18"	BBD018F45RI
20"	BBD020F45RI
22"	BBD022F45RI
24"	BBD024F45RI
26"	BBD026F45RI
28"	BBD028F45RI



Cabinet profile and drawer profile must be separated when mounting. Expand slide, place it on its side and pull black lever as shown in order to separate the profiles.
Slide the two profiles into the respective wood parts.
Mount the drawer by inserting profiles inside one another.

