

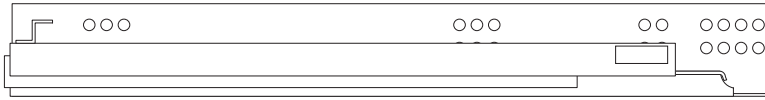
# Full-extension, concealed drawer slides

- Self closing with soft-close dampening
- For 5/8" maximum drawer side thickness
- 75 lb. dynamic capacity

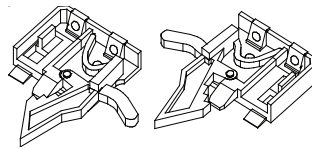


## Components required to mount one drawer

### 1 Order one set of slides to match the drawer length



Drawer length	Code Number
21" 533mm	HCBAF533V6
18" 457mm	HCBAF457V6
15" 381mm	HCBAF381V6
12" 305mm	HCBAF305V6

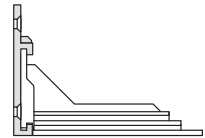


Sets include a pair of front locking devices that connect the drawer to the slides.

(6) sets per carton

### 2 Order 2 sockets

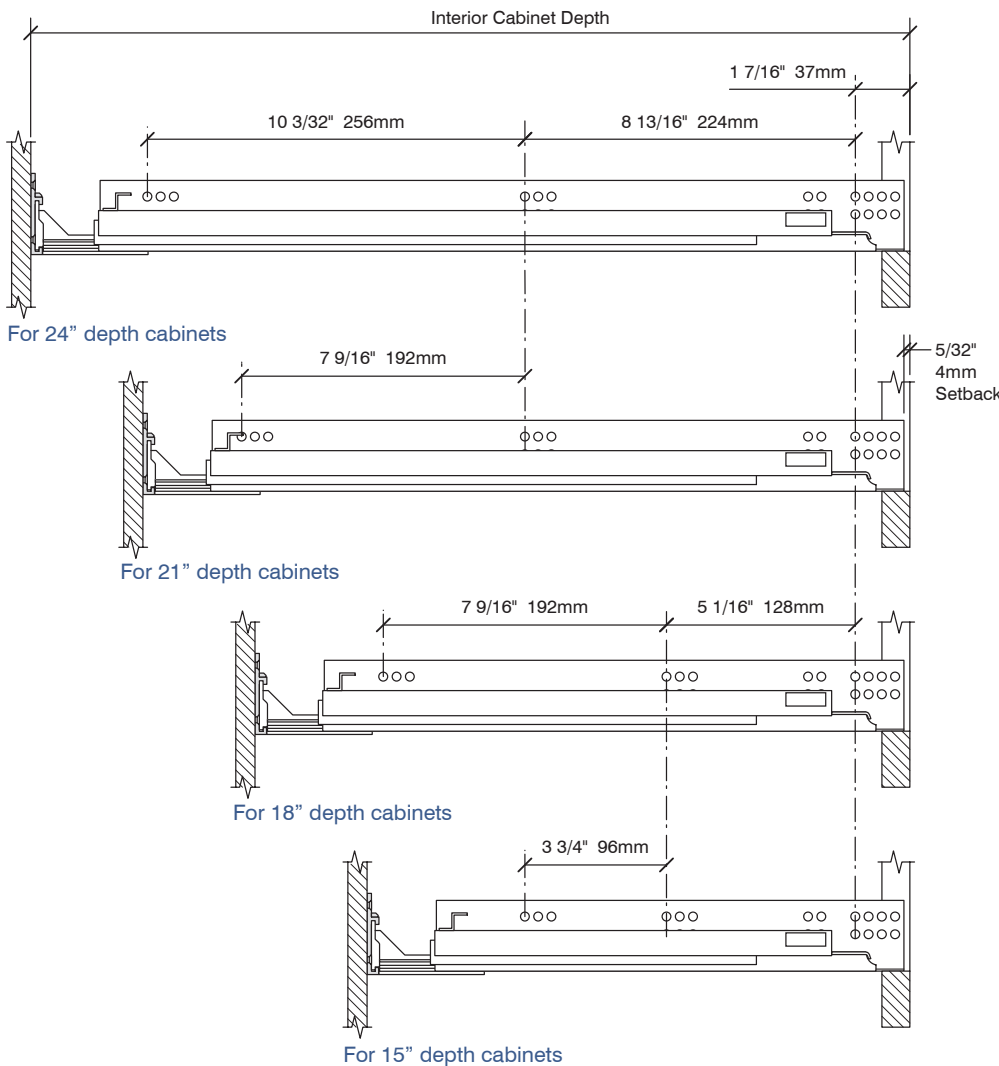
Required for face frame cabinets



Non-handed
G-280

(400) per carton

## Slide mounting specifications



### 21" drawer 533mm

Face frame interior cabinet depth:  
 23 1/2" 597mm Max.  
 22 1/4" 565mm Min.  
 Frameless interior cabinet depth:  
 21 7/8" 555mm Min.

### 18" drawer 457mm

Face frame interior cabinet depth:  
 20 1/2" 520mm Max.  
 19 1/4" 489mm Min.  
 Frameless interior cabinet depth:  
 18 7/8" 479mm Min.

### 15" drawer 381mm

Face frame interior cabinet depth:  
 17 1/2" 444mm Max.  
 16 1/4" 413mm Min.  
 Frameless interior cabinet depth:  
 15 7/8" 403mm Min.

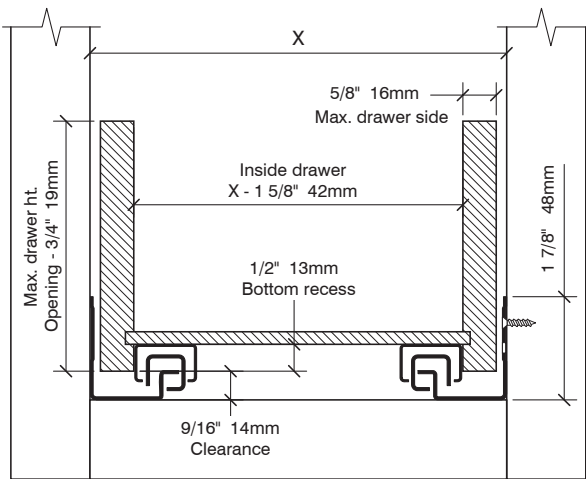
### 12" drawer 305mm

Face frame interior cabinet depth:  
 14 1/2" 368mm Max.  
 13 1/4" 337mm Min.  
 Frameless interior cabinet depth:  
 12 7/8" 327mm Min.

# Drawer construction and installation



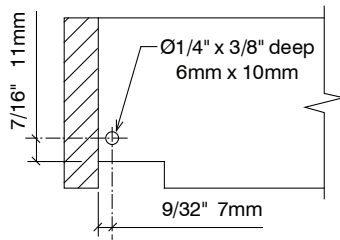
## 1 Calculate drawer size from cabinet opening



### Important:

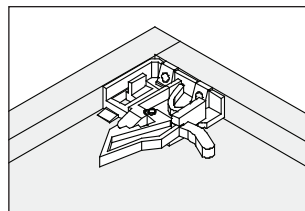
Inside drawer dimension needs to be accurate to fit over drawer slides.  
 Drawer length limited to: 21" 533mm, 18" 457mm, 15" 381mm & 12" 305mm.

## 3 Bore rear hook holes



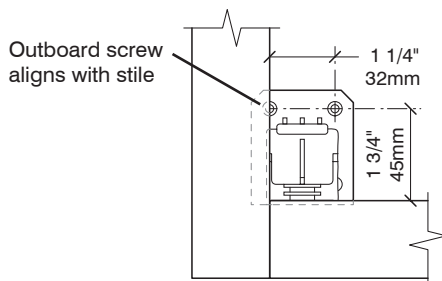
## 4 Install locking devices

Attach to drawer front with #6 x 1/2" pan head screws



## 5 Install rear sockets - Face frame cabinets only

1. Project the inside corner of the face frame on to the cabinet back
2. Mark the centers for the screws
3. Attach with #6 FH screws

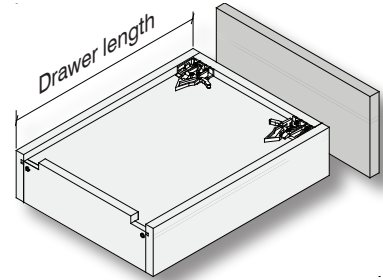


## 2 Build the drawer

Two construction techniques

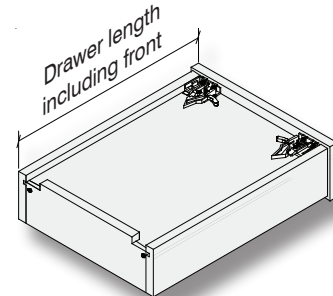
### Standard

Four sided box with decorative front attached to the front of the drawer

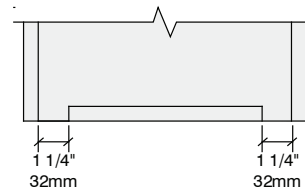


### Interior roll-out drawer

Four sided box with integral drawer front  
**IMPORTANT:** Overall drawer length: 21", 18", etc. includes drawer front

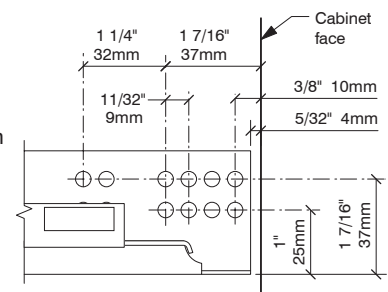


### Notch drawer back for slide clearance



## 6 Mount slides to cabinet

1. Insert slide into rear socket (face frame only)
2. Position slide 5/32" back from the cabinet face
3. Attach with #7 FH screws or Euro screws in pre-bored Ø5mm holes



ID: FCDS-V3-081909